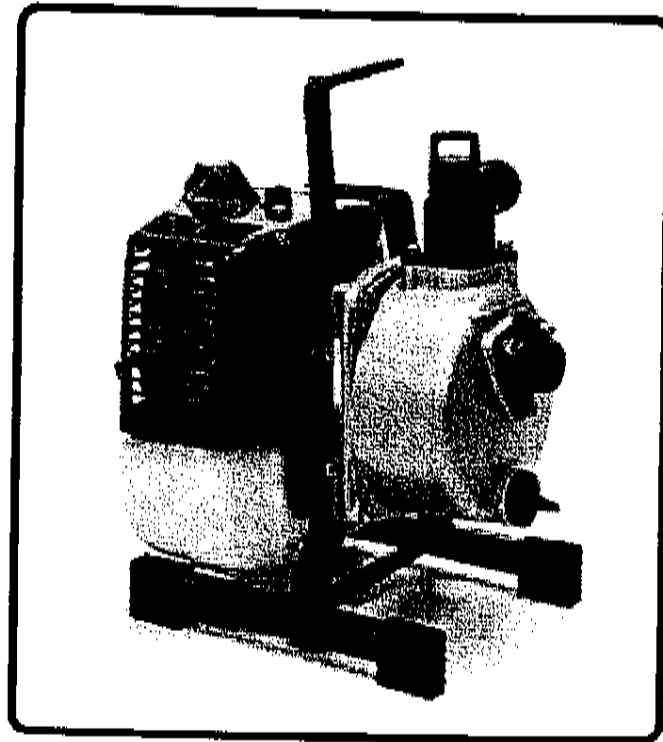




Manufacturing quality equipment since 1895.

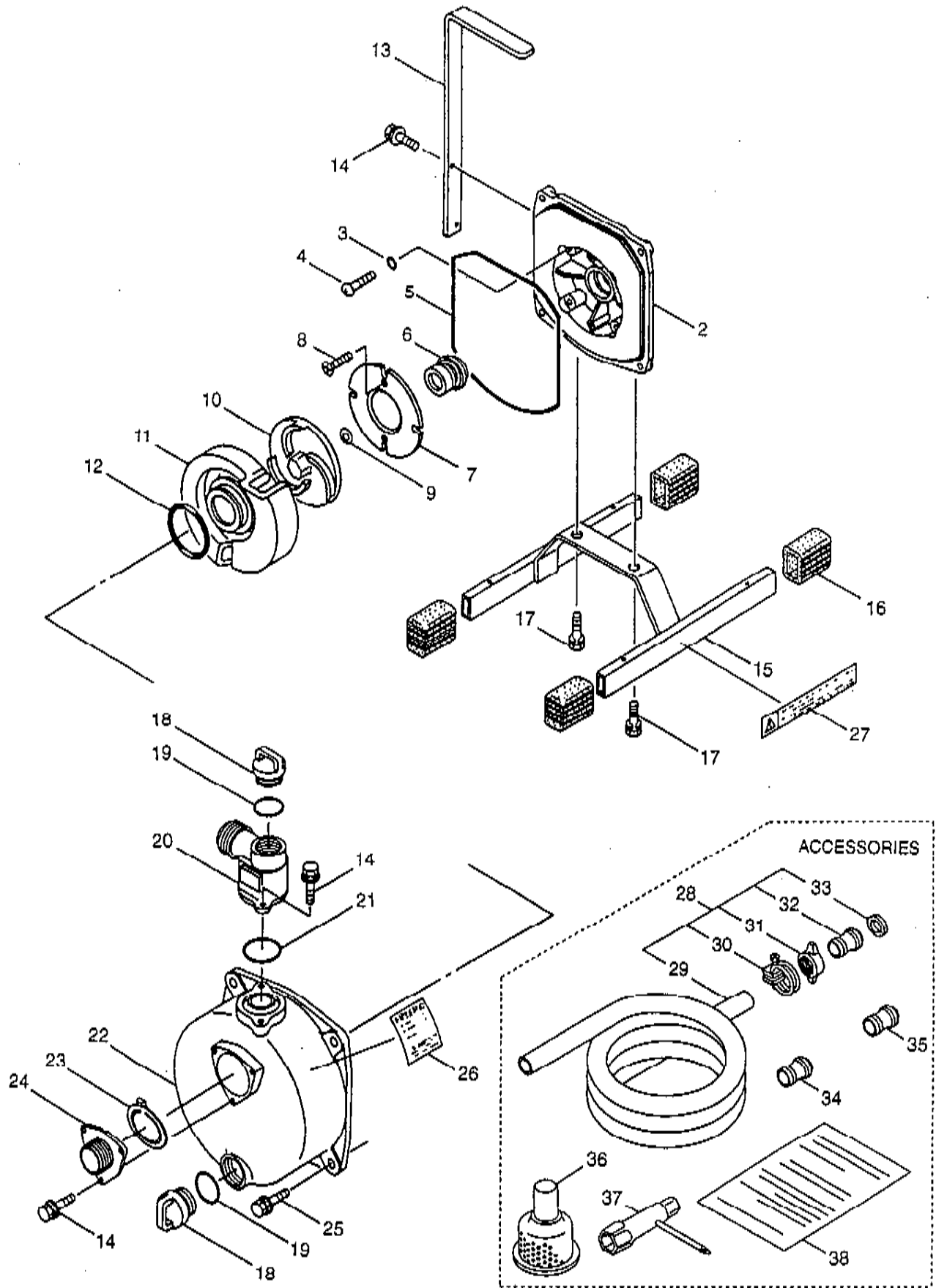
ILLUSTRATED PARTS LIST

Model MP2532E2



MP2532E2 Water Pump

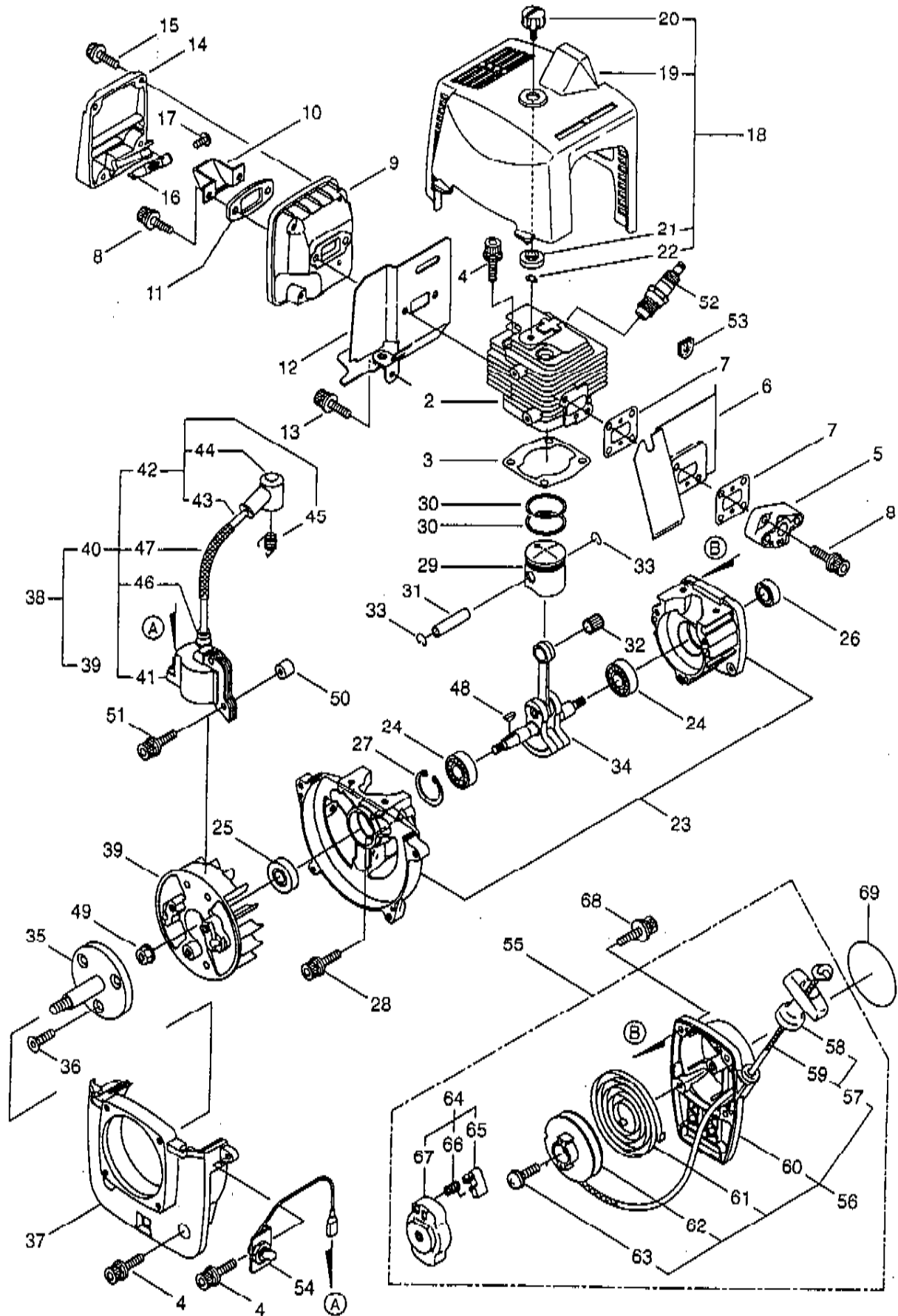
Model MP2532E2 Main Body & Accessories



Model MP2532E2 Main Body & Accessories

Ref. No.	Part No.	Description	Q'ty	Remarks
1	332075	MP2532E2	1	
2	240750	Casing Cover	1	
3	013918	O-Ring	4	S5
4	550162	Screw	4	M5 x 0.8 x 40
5	014070	O-Ring	1	S150
6	240002	Mechanical Seal	1	
7	240654	Plate	1	
8	081709	Screw	2	M4 x 8
9	240760	Spacer	AR	φ8.5 x φ12 x 10.5
9	240761	Spacer	AR	φ8.5 x φ12 x 10.3
10	240772	Impeller	1	
11	240773	Scroll	1	
12	027533	O-Ring	1	P42
13	240779	Handle	1	
14	092519	Bolt	7	M6 x 16
15	240774	Base	1	
16	240017	Cushion Rubber	4	
17	092513	Bolt	2	M8 x 16
18	240012	Plug	2	M24
19	020285	O-Ring	2	P24
20	240556	Discharge Valve	1	
21	014178	O-Ring	1	G35
22	240652	Casing	1	
23	240554	Check Valve	1	
24	240553	Inlet Valve	1	
25	092520	Bolt	4	M6 x 20
26	240776	Label	1	
27	107483	Label	1	
28	240031	Suction Hose Ass'y	1	Includes 29~33
29	240027	Hose	1	φ25 x 3m
30	240030	Hose Band	3	
31	240028	Hose Coupling	2	PF1
32	240029	Hose Coupling	2	
33	021685	Packing	2	φ23 x φ29 x t2
34	240101	Hose Coupling	1	3/4
35	240568	Hose Coupling	1	5/8
36	240564	Strainer	1	
37	210418	Box Spanner	1	13 x 19 x ⊕
38	240777	Owner's Manual	1	

Model MP2532E2 Engine & Rewind Starter

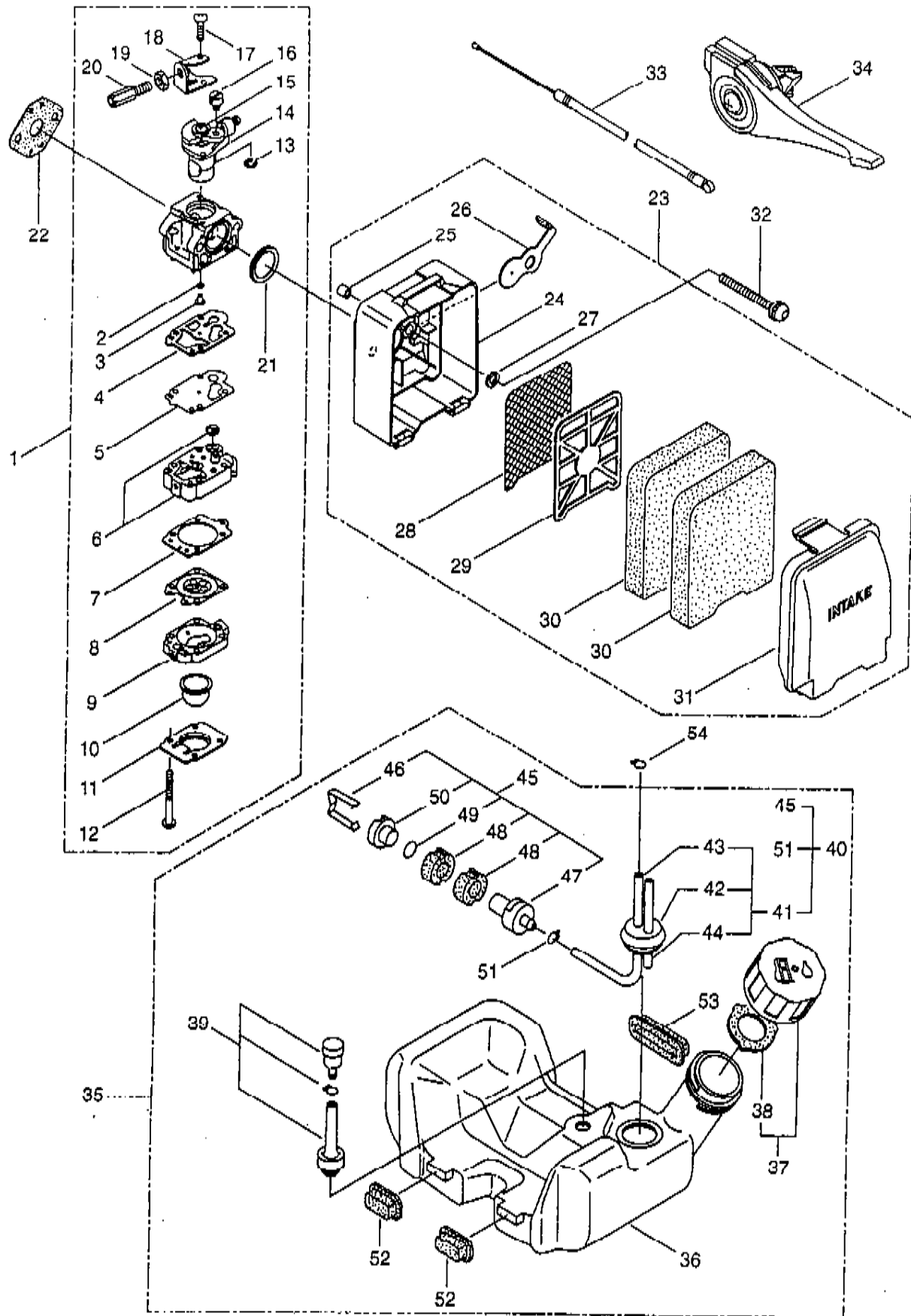


Model MP2532E2 Engine & Rewind Starter

Ref. No.	Part No.	Description	Q'ty	Remarks
2	261360	Cylinder	1	New gasket required
3	262201	Gasket	1	
4	261250	Cap Screw	8	M5 x 20
5	261938	Insulator	1	New gasket required
6	261364	Air Duct	1	
7	261171	Gasket	2	
8	261246	Cap Screw	4	M5 x 25
9	262400	Muffler Body	1	New muffler cover required
10	261368	Deflector	1	
11	261986	Deflector Plate	1	
12	261833	Gasket	1	
13	261607	Cap Screw	1	M5 x 16
14	262401	Muffler Cover	1	New muffler body required
15	261250	Cap Screw	4	M5 x 20
16	262395	Spark Arrester	1	
17	089596	Screw, Spark Arrester	1	M3 x 10
18	265304	Top Cover Ass'y	1	Includes 19-22 (No Label)
19	265305	Top Cover	1	New label required
20	261018	Knob	1	
21	261020	Spacer	1	
22	261734	Snap Ring	1	#5
23	261379	Crankcase	1	
24	261384	Bearing	2	6201C3
25	261385	Oil Seal	1	ISCD12327
26	261386	Oil Seal	1	ISCD12227
27	016732	Snap Ring	1	H32
28	261612	Cap Screw	3	M5 x 30
29	261388	Piston	1	
30	261390	Piston Ring	2	(2) Required
31	261555	Piston Pin	1	
32	261392	Needle Bearing	1	KBK10 x 14 x 12.5 x 1
33	261393	Clip, Piston Pin	2	
34	261395	Crankshaft/Conn. Rod Ass'y	1	
35	265311	Shaft	1	
36	265312	Screw	3	M6 x 15
37	264104	Fan Cover	1	
38	265306	Magneto Ass'y	1	Includes 39-47
39	265307	Rotor/Fan	1	
40	261301	Ignition Coil Ass'y	1	Includes 41-47
41	261302	Coil	1	
42	261744	Spark Plug Wire Ass'y	1	Includes 43-45
43	261071	Spark Plug Wire	1	
44	261074	Plug Boot	1	
45	261075	Connector	1	
46	261072	Cap	1	
47	261073	Insulator	1	φ6 x φ6.8 x 80L
48	261076	Woodruff Key	1	
49	261417	Nut, Rotor	1	M8

Ref. No.	Part No.	Description	Q'ty	Remarks
50	261078	Spacer	2	
51	261256	Cap Screw	2	M4 x 25
52	261200	Spark Plug	1	NGK BPM6Y
53	261202	Grommet	1	
54	265308	Switch Ass'y	1	
55	261419	Rewind Starter Ass'y	1	Includes 56-67
56	261420	Rewind Ass'y	1	Includes 67-63
57	261723	Rope Ass'y	1	Includes 58, 59
58	261725	Starter Grip	1	
59	261724	Starter Rope	1	
60	261719	Starter Case	1	
61	261721	Rewind Spring	1	
62	261720	Pulley	1	
63	262922	Screw	1	
64	263475	Starter Pawl Ass'y	1	Includes 65-67
65	263477	Pawl	1	
66	261728	Return Spring	1	
67	263476	Pawl Case	1	
68	261257	Cap Screw	4	M4 x 16
69	264525	Label	1	

Model MP2532E2 Carburetor & Fuel Tank Assembly



Model MP2532E2 Carburetor & Fuel Tank Assembly

Ref. No.	Part No.	Description	Q'ty	Remarks
1	265313	Carburetor Ass'y	1	
2	2618/1	O-Ring	1	Includes 2-21 New gasket Required
3	262123	Main Jet	1	
4	262995	Gasket	1	#44
5	262994	Diaphragm, Fuel Pump	1	
6	263739	Pump Body	1	
7	262993	Gasket	1	
8	261873	Diaphragm, Metering	1	
9	262991	Purge Body	1	
10	261874	Primer Bulb	1	
11	262992	Cover Plate	1	
12	262996	Screw	1	
13	261876	E-Ring	4	
14	265448	Throttle Valve Ass'y	1	
15	261652	Plug	1	
16	261658	Swivel	1	
17	261875	Screw	1	
18	263250	Bracket	2	
19	261878	Nut	1	
20	261877	Adapter	1	
21	261657	Packing	1	
22	261864	Gasket	1	
23	265315	Air Filter Ass'y	1	
24	263723	Housing	1	Includes 24-30
25	263715	Sleeve	1	
26	263007	Choke Valve	2	
27	263000	Washer	1	
28	265314	Screen	1	
29	263717	Screen	1	
30	263714	Foam Element	1	
31	263713	Air Filter Cover	2	
32	262720	Cap Screw	1	
33	265316	Cable Comp.	2	M5 x 55
34	264876	Throttle Trigger	1	
35	264749	Fuel Tank Ass'y	1	
36	264752	Fuel Tank	1	Includes 36-53
37	261584	Fuel Tank Cap Ass'y	1	
38	261105	Gasket	1	Include 38
39	261696	Breather Ass'y	1	
40	263800	Fuel Pipe Pick-up Ass'y	1	
41	264031	Fuel Pipe Ass'y	1	Includes 41-51
42	261115	Grommet	1	Includes 42-44
43	261690	Fuel Pipe	1	
44	263038	Return Pipe	1	
45	261797	Fuel Filter Ass'y	1	φ3 x φ5 x 80L
46	261798	Clip	1	Includes 46-50
47	261799	Body	1	
48	261800	Filter	1	
49	261801	Packing	2	
50	261802	Retainer	1	
51	261117	Clip	1	
52	261118	Pad	1	
53	261119	Pad	2	
54	261117	Clip	1	



For a complete line of Professional Trimmers,
Brushcutters, Hedgetrimmers, Handheld &
Backpack Blowers, Pumps and Sprayers,
contact-

MARUYAMA U.S., INC.

15436 NE 95th St., Redmond, Washington 98052-2547

P.O. Box 2167, Redmond, Washington 98073-2167

Phone (206) 885-0811 Fax (206) 885-0123