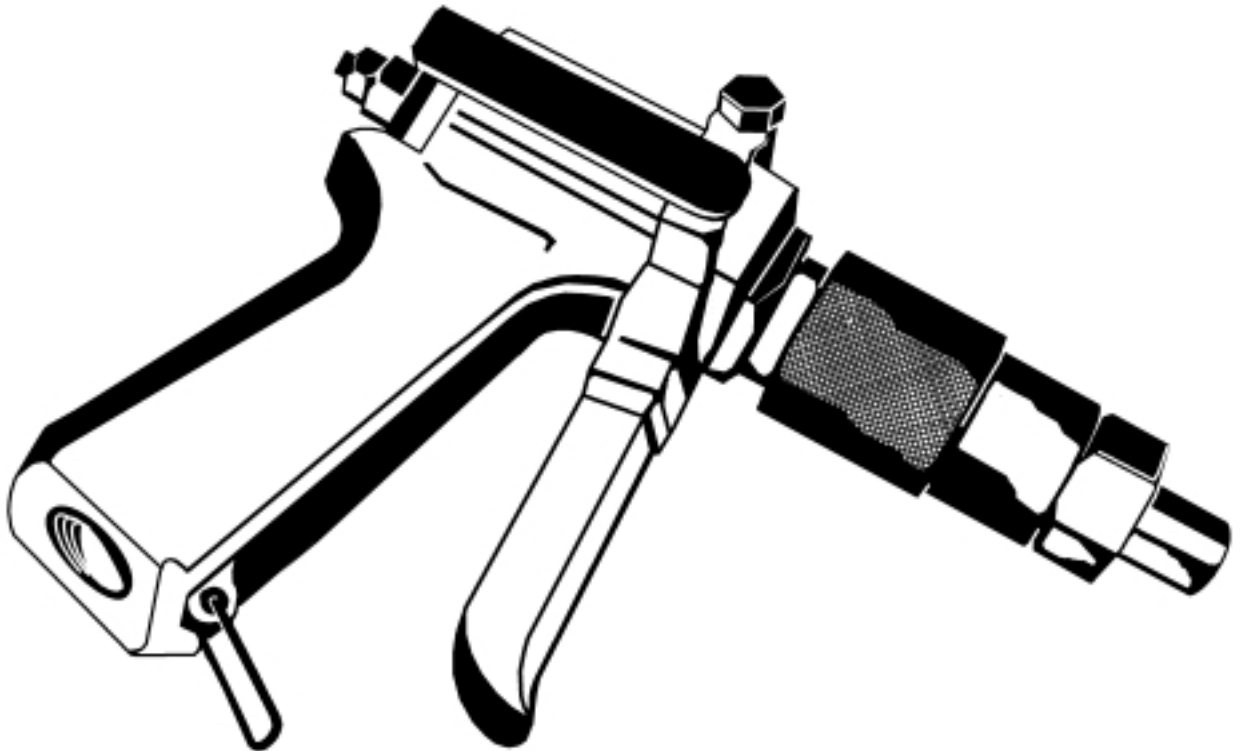


**MARUYAMA**

ILLUSTRATED PARTS LIST

# **MD9 Spray Gun**

HEAVY DUTY NOZZLE



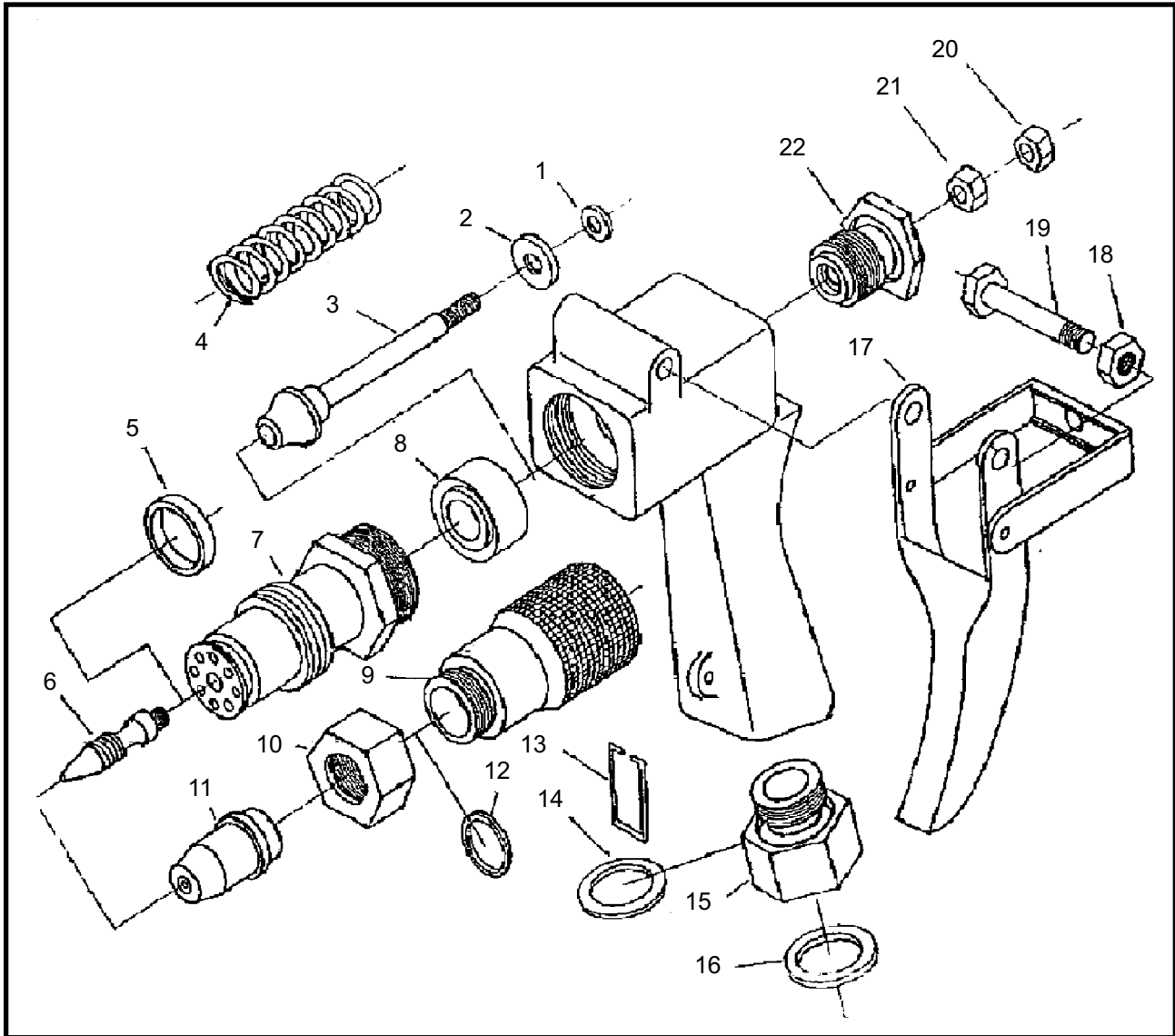
MD9 SPRAY GUN  
HEAVY DUTY NOZZLE  
PART #845408-REV06/02



Maruyama. *E x t r a o r d i n a r y .*

2 | ILLUSTRATED PARTS LIST  
MD9 Spray Gun

# HEAVY DUTY NOZZLE



| <b>REF #</b> | <b>PART #</b> | <b>DESCRIPTION</b>      | <b>Q'TY.</b> | <b>NOTES</b>       |
|--------------|---------------|-------------------------|--------------|--------------------|
| 1            | 840915        | O-Ring                  | 1            |                    |
| 2            | 840916        | Gasket Ring             | 1            |                    |
| 3            | 840917        | Valve Shaft             | 1            |                    |
| 4            | 840918        | Spring                  | 1            |                    |
| 5            | 840919        | Gasket                  | 1            |                    |
| 6            | 840920        | Pressure Axle           | 1            | Left Handed Thread |
| 7            | 840921        | Adjustable Shaft        | 1            |                    |
| 8            | 840922        | Gasket                  | 1            |                    |
| 9            | 840923        | Adjustable Bush         | 1            |                    |
| 10           | 840924        | Nut                     | 1            |                    |
| 11           | 840925        | #6 Nozzle, 2.5mm        | 1            | Standard           |
| 11           | 842441        | #2 Nozzle, 0.8mm        | 1            | Optional           |
| 11           | 842442        | #4 Nozzle, 1.5mm        | 1            | Optional           |
| 11           | 842443        | #5 Nozzle, 2.0mm        | 1            | Optional           |
| 11           | 842444        | #8 Nozzle, 3.0mm        | 1            | Optional           |
| 12           | 840926        | O-Ring                  | 1            |                    |
| 13           | 840927        | Fixed Ring              | 1            |                    |
| 14           | 840928        | Gasket                  | 1            |                    |
| 15           | 840929        | Coupling                | 1            |                    |
| 16           | 840930        | Gasket                  | 1            |                    |
| 17           | 840931        | Trigger Lever & Bracket | 1            |                    |
| 18           | 840932        | Nut                     | 1            | M6x1.0             |
| 19           | 840933        | Trigger Fixed Bolt      | 1            |                    |
| 20           | 840934        | Nut                     | 1            | M6x1.0             |
| 21           | 840935        | Nut                     | 1            | M6x1.0             |
| 22           | 840936        | Rear Water Bolt Plug    | 1            |                    |



**Maruyama U.S., Inc.**

Post Office Box 309

Auburn, WA 98071-0309

253-735-7368 voice

253-735-1416 fax

[www.maruyama-us.com](http://www.maruyama-us.com)