

MARUYAMA

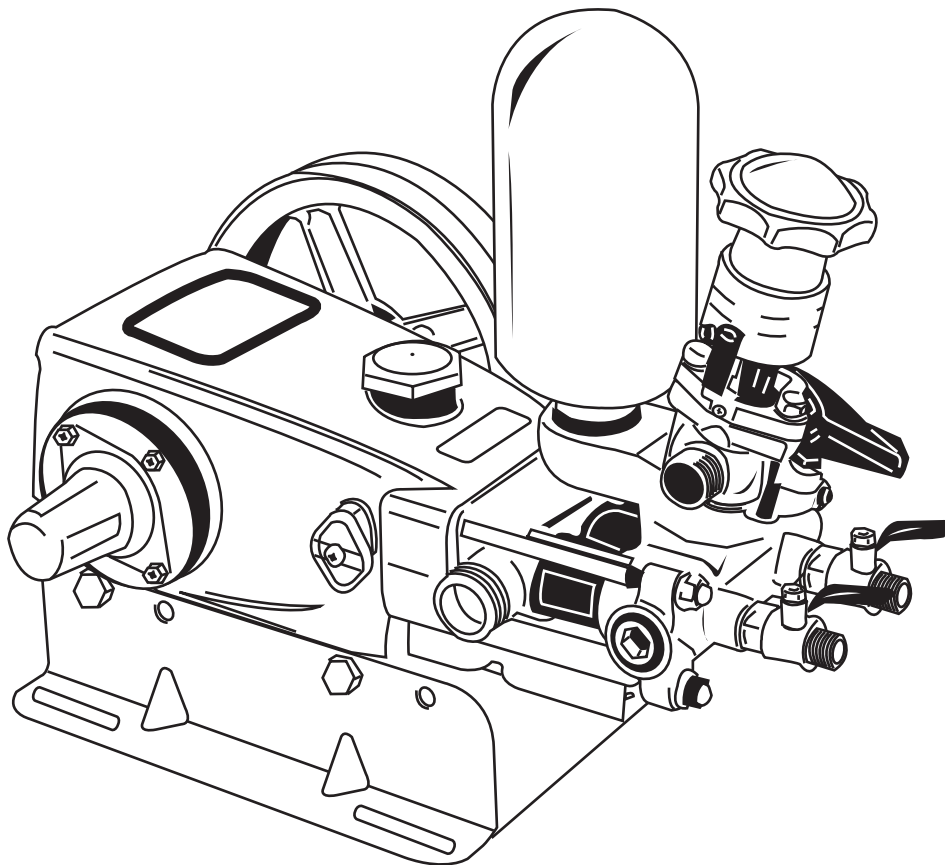
ILLUSTRATED PARTS LIST

MS613

MS653

MS753

PUMP

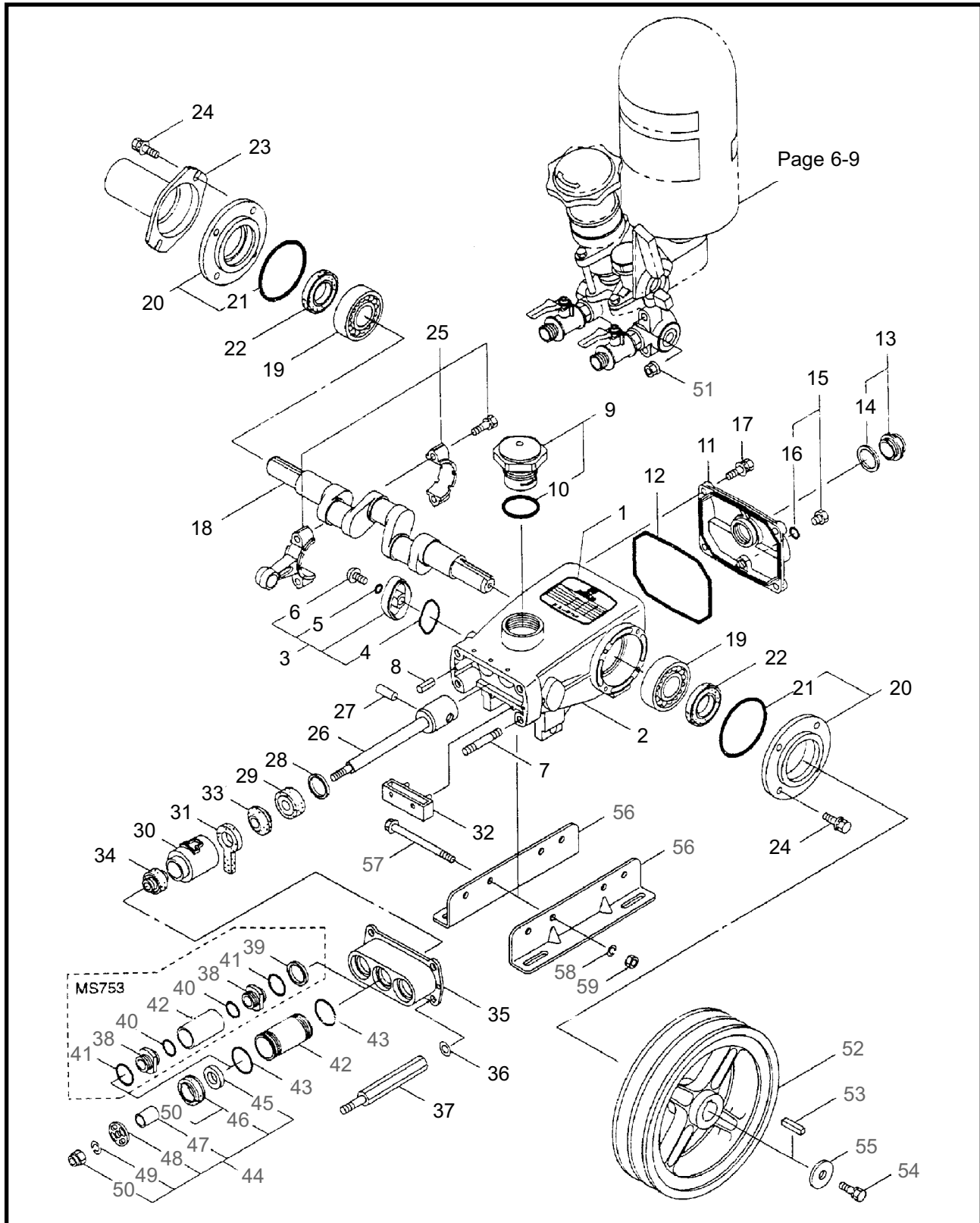


MS613/MS653/MS753
PUMP
PART 845422-REV03/03



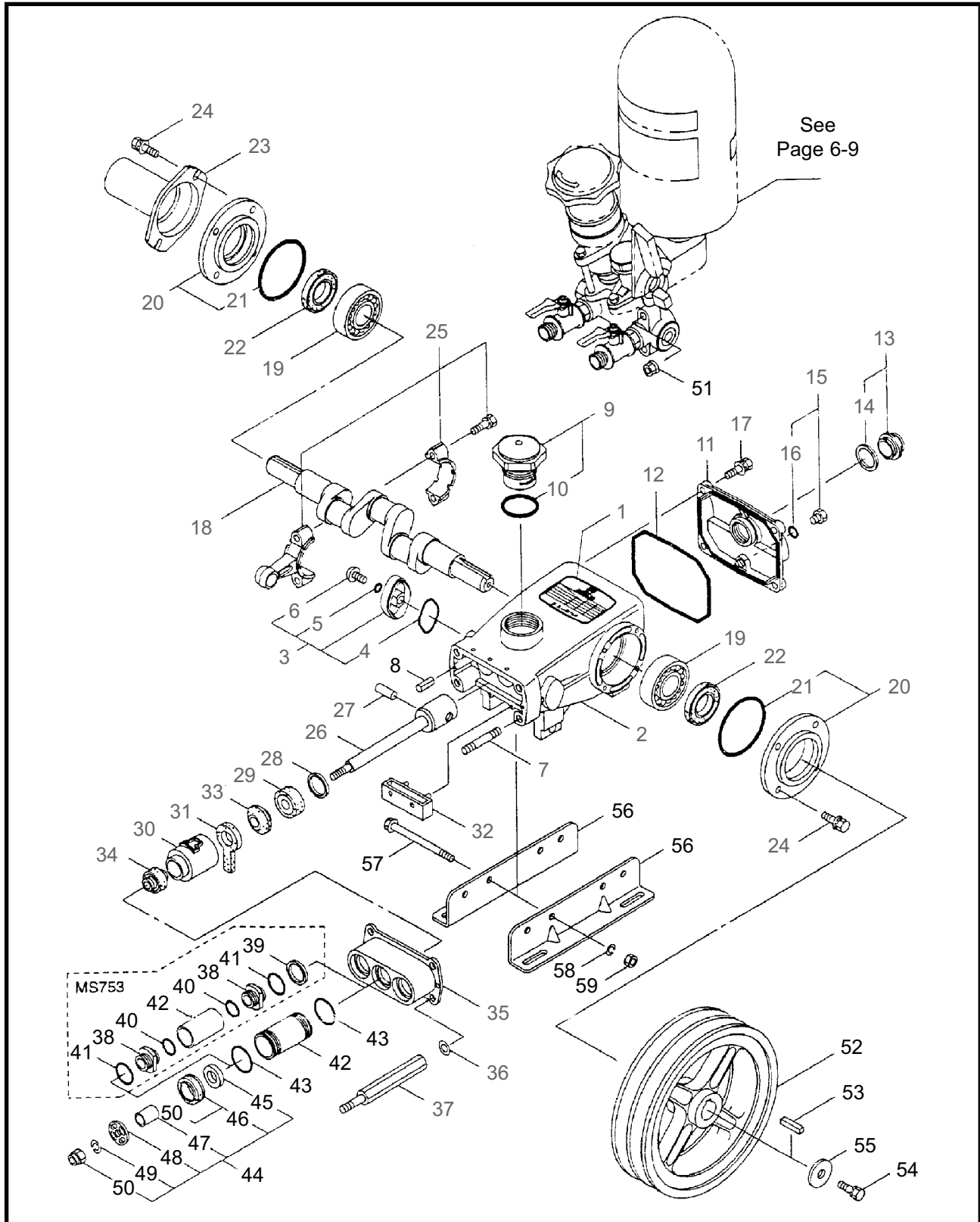
Maruyama. *E x t r a o r d i n a r y .*

CRANKCASE, SUCTION VALVE



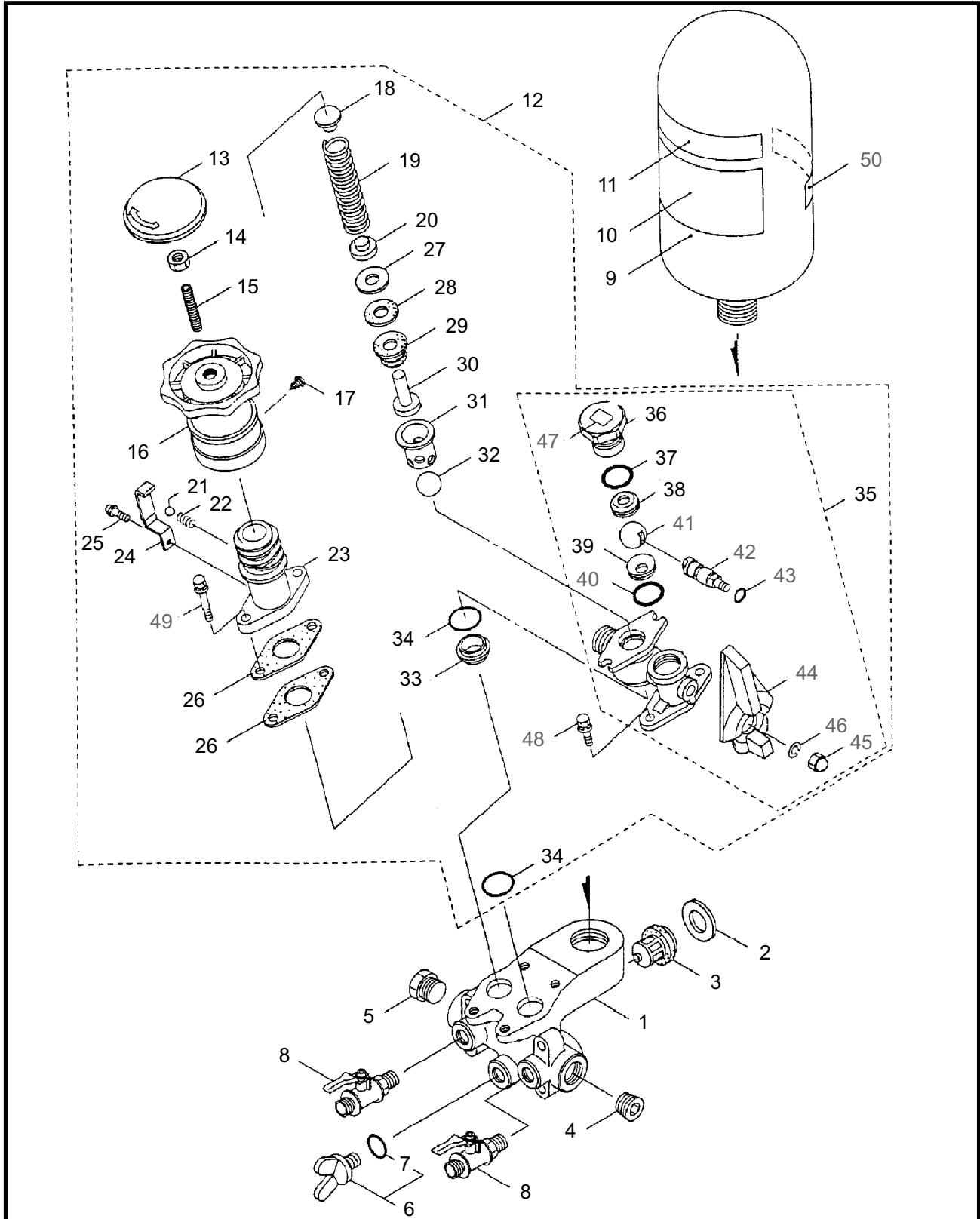
REF #	PART #	DESCRIPTION	Q'TY.	NOTES
1	120965	Name Plate	1	MS613
1	120893	Name Plate	1	MS653
1	120970	Name Plate	1	MS753
2	120895	Crankcase	1	
3	120821	Oil Gauge Ass'y	1	Incl. 4-6
4	120823	O-Ring	1	
5	013919	O-Ring	1	
6	120824	Screw	1	M6x14
7	014050	Stud Bolt	4	
8	027488	Spring Pin	2	
9	091264	Cap	1	Incl. 10
10	014177	O-Ring	1	
11	121363	Crankcase Cap	1	
12	044834	O-Ring	1	
13	092241	Oil Gauge	1	Incl. 14
14	044428	Packing	1	
15	091376	Plug Ass'y	1	Incl. 16
16	023170	O-Ring	1	
17	092520	Bolt	4	M6x20
18	028203	Crankshaft	1	
19	047080	Bearing	2	
20	597960	Oil Seal Case Ass'y	2	Incl. 21
21	026965	O-Ring	2	
22	027330	Oil Seal	2	
23	108379	Protector	1	
24	092519	Bolt	8	M6x16
25	116927	Connecting Rod Ass'y	3	
26	120901	Piston Rod	3	MS613, MS653
26	120971	Piston Rod	3	MS753
27	020251	Piston Pin	3	
28	026952	Washer	3	
29	027987	Oil Seal	3	
30	027341	Seal Retainer	3	
31	027910	Oil Wick	3	
32	027911	Oil Pan	1	
33	026853	Packing	3	
34	100015	Seal Packing	3	
35	108383	Inlet Manifold	1	
36	043641	Washer	4	
37	120903	Cylinder Bolt	4	MS613, MS653

CRANKCASE, SUCTION VALVE



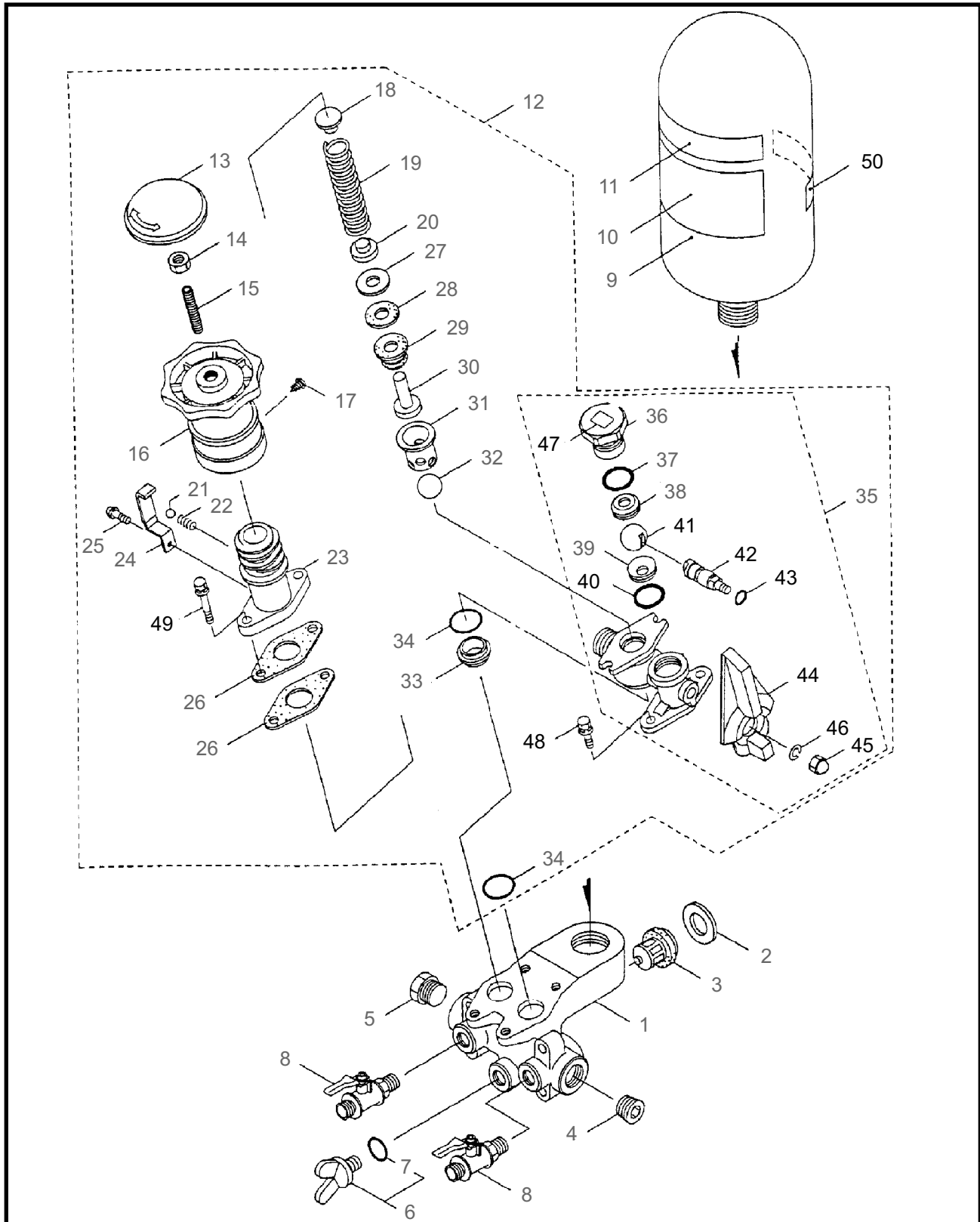
REF #	PART #	DESCRIPTION	Q'TY.	NOTES
37	120973	Cylinder Bolt	4	MS753
38	108424	Adapter	6	MS753
39	027954	Packing	1	MS753
40	027536	O-Ring	6	MS753
41	026969	O-Ring	6	MS753
42	108384	Cylinder Pipe	3	MS613, MS653
42	108425	Cylinder Pipe	3	MS753
43	026969	O-Ring	6	
44	632585	Inlet Valve Ass'y	3	Incl. 45-50, MS613, MS653
44	632584	Inlet Valve Ass'y	3	Incl. 45-50, MS753
45	026541	Inlet Valve Seat	3	MS613, MS653
45	027944	Inlet Valve Seat	3	MS753
46	632588	Piston Packing Ass'y	3	MS613, MS653
46	632587	Piston Packing Ass'y	3	MS753
47	027796	Spacer	3	
48	120904	Piston Retainer	3	
48	027947	Piston Retainer	3	
49	015850	Spring Washer	3	
50	115598	Nylon Nut	3	
51	120369	Flange Nut	4	
52	108408	V-Pulley	1	
53	064203	Key	1	
54	092521	Bolt	1	M8x20
55	100836	Washer	1	
56	117634	Rail	2	
57	080416	Bolt	2	M10x140x35
58	012503	Spring Washer	2	
59	012466	Nut	2	

PRESSURE REGULATOR VALVE, DISCHARGE VAVLE



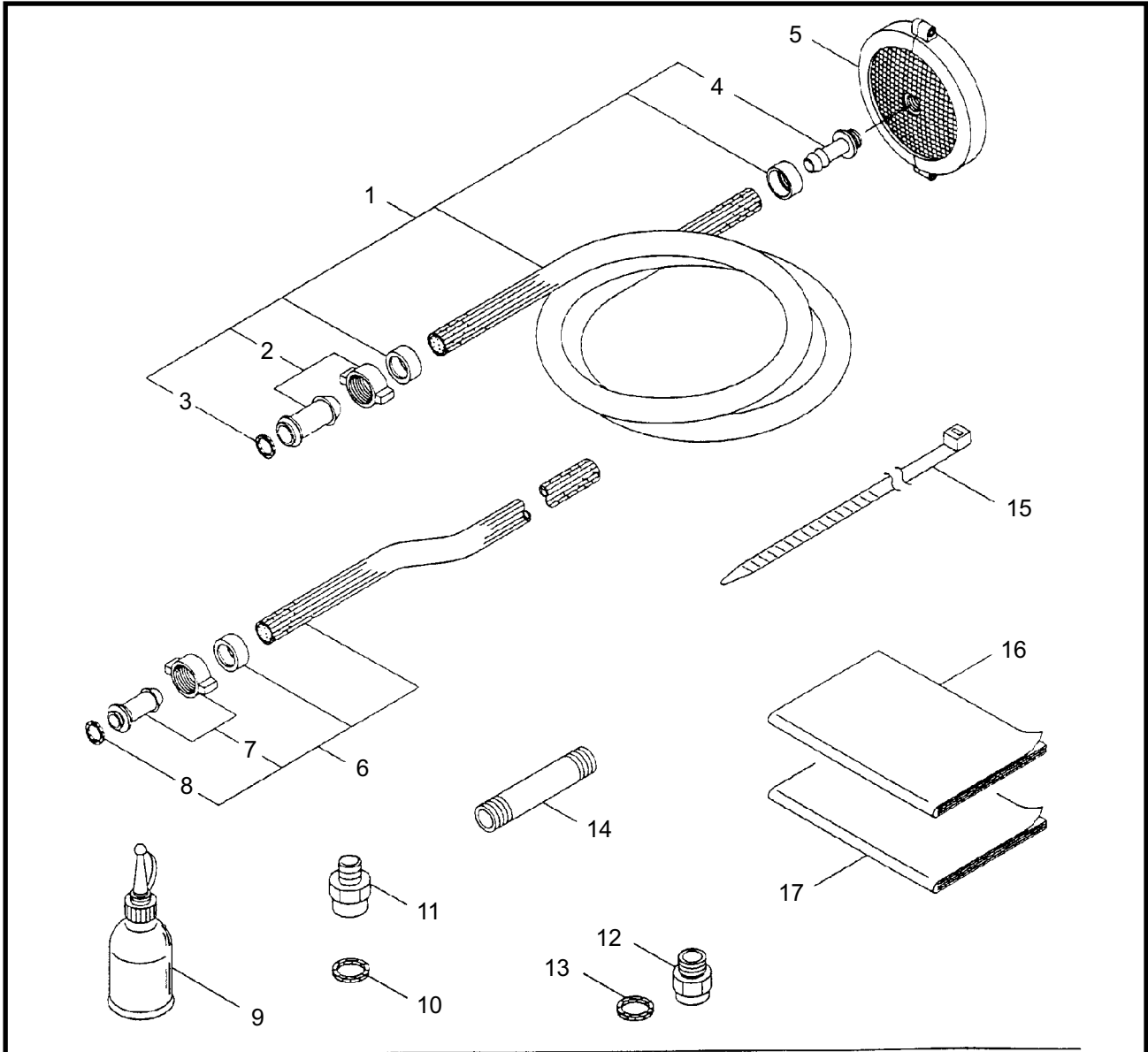
REF #	PART #	DESCRIPTION	Q'TY.	NOTES
1	120906	Discharge Manifold	1	
2	108406	Washer	3	
3	120236	Valve Ass'y	3	
4	120909	Plug	1	
5	108366	Plug	1	
6	632737	Plug Ass'y	1	Incl. 7
7	023170	O-Ring	1	
8	120835	Ball Cock	1	
9	108416	Air Chamber Ass'y	1	MS613
9	108392	Air Chamber Ass'y	1	MS653, MS753
10	121443	Label	1	
11	115372	Label	1	
12	120910	Pressure Regulator Valve Ass'y	1	Incl. 13-49
13	120911	Cap	1	
14	084015	Nut	1	M10
15	120913	Set Screw	1	M10x35
16	120914	Grip	1	
17	089899	Tapping Screw	1	M4x13
18	108402	Spring Seat	1	
19	120917	Spring	1	
20	120918	Spring Receiver	1	
21	011495	Valve Ball	1	
22	121221	Spring	1	
23	120919	Spring Case	1	
24	121079	Plate	1	
25	092100	Screw	1	M4x6
26	120924	Packing	2	
27	120925	Washer	1	
28	120926	Packing	1	
29	120927	Bellows	1	
30	120929	Rod	1	
31	120930	Sack	1	
32	120931	Valve Ball	1	
33	120932	Seat	1	
34	020285	O-Ring	2	
35	121015	Body Ass'y	1	Incl. 36-47
36	120933	Ball Retainer	1	
37	013975	O-Ring	1	
38	121692	Valve Seat	1	
39	121693	Valve Seat	1	

PRESSURE REGULATOR VALVE, DISCHARGE VALVE

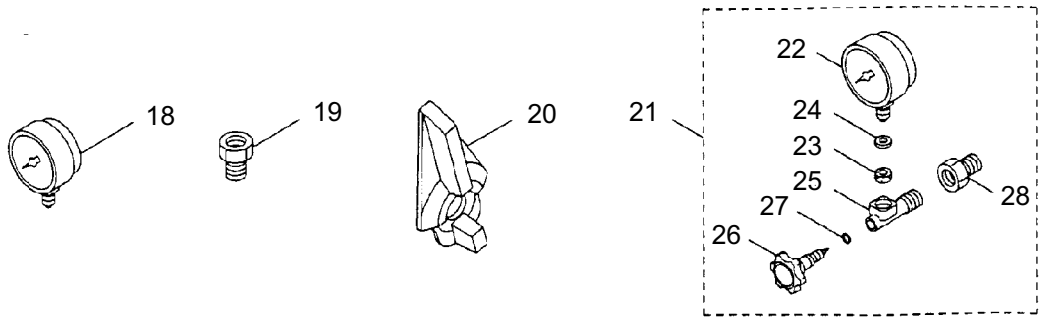


REF #	PART #	DESCRIPTION	Q'TY.	NOTES
40	013970	O-Ring	1	
41	120934	Ball Valve	1	
42	120935	Ball Rotator	1	
43	025300	O-Ring	1	
44	121007	Handle	1	
45	100166	Cap Nut	1	M5
46	029754	Spring Washer	1	M5
47	108355	Sticker	1	
48	118824	Bolt	2	M8x25
49	120937	Bolt	2	M8x70
50	121074	Sticker	1	

ACCESSORIES



OPTIONAL ACCESSORIES



REF #	PART #	DESCRIPTION	Q'TY.	NOTES
1	108450	Suction Hose	1	Incl. 2-4
2	098011	Hose Coupling	1	
3	103687	Packing	1	
4	028657	Hose Coupling	1	
5	105930	Suction Strainer Ass'y	1	
6	108452	Discharge Hose (19X3.6M)	1	Incl. 7,8
7	098213	Hose Coupling	1	
8	103686	Packing	1	
9	015773	Oiler	1	
10	014823	Packing	2	
11	091015	Extension	2	
12	091015	Extension	2	
13	014823	Packing	2	
14	028713	Nipple	1	
15	107107	Band	1	
16	117730	Safety Manual	1	
17	120844	Instruction Manual	1	
18	120848	Pressure Gauge	1	
19	534268	Bushing	1	
20	121002	Handle	1	
21	121432	Pressure Gauge Ass'y	1	Incl. 22-28
22	121430	Pressure Gauge	1	
23	011241	Packing	1	
24	015453	Washer	3	
25	148002	Valve	1	
26	027441	Needle Valve Knob	1	
27	011341	O-Ring	1	
28	534268	Bushing	1	



Maruyama U.S., Inc.

Post Office Box 309

Auburn, WA 98071-0309

253-735-7368 voice

253-735-1416 fax

www.maruyama-us.com