

MARUYAMA

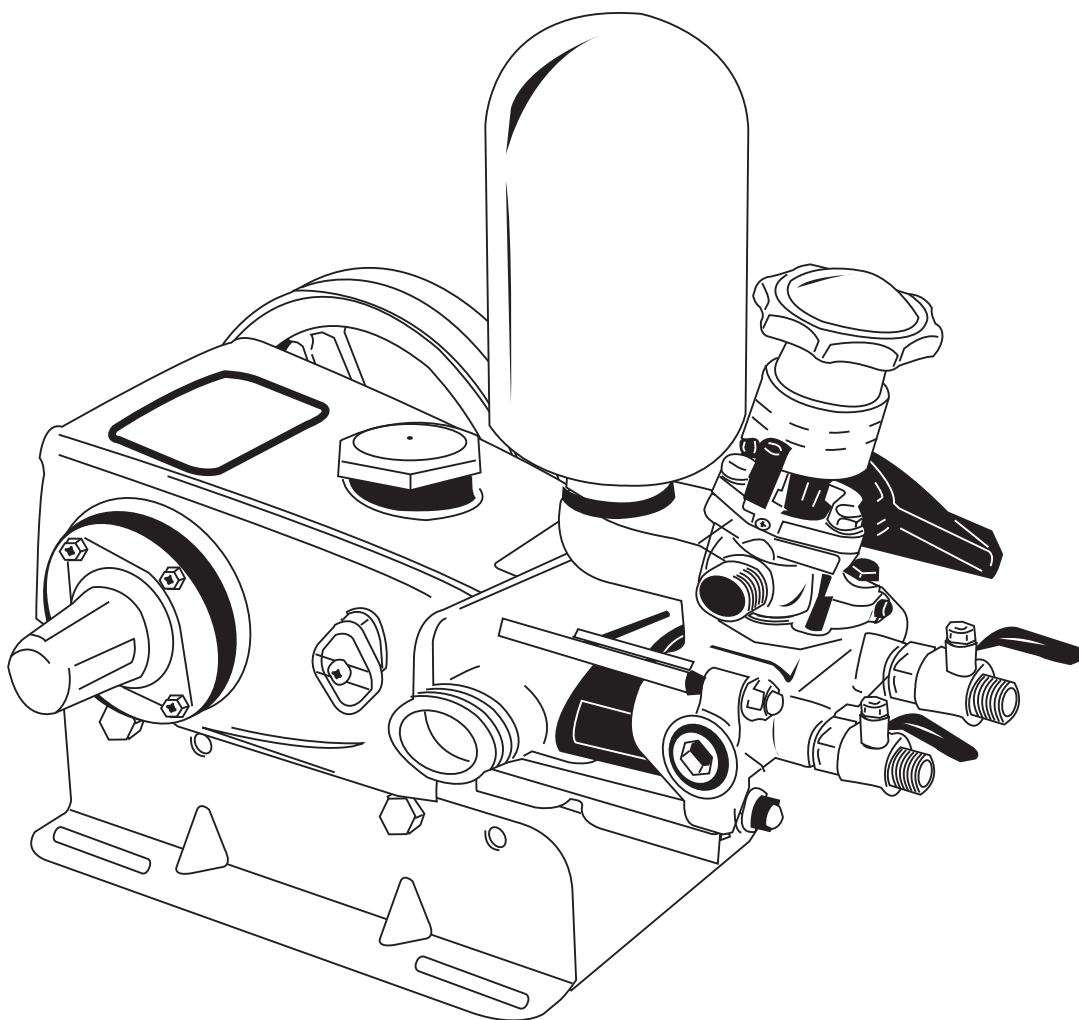
ILLUSTRATED PARTS LIST

MS313

MS413

MS513

PUMP

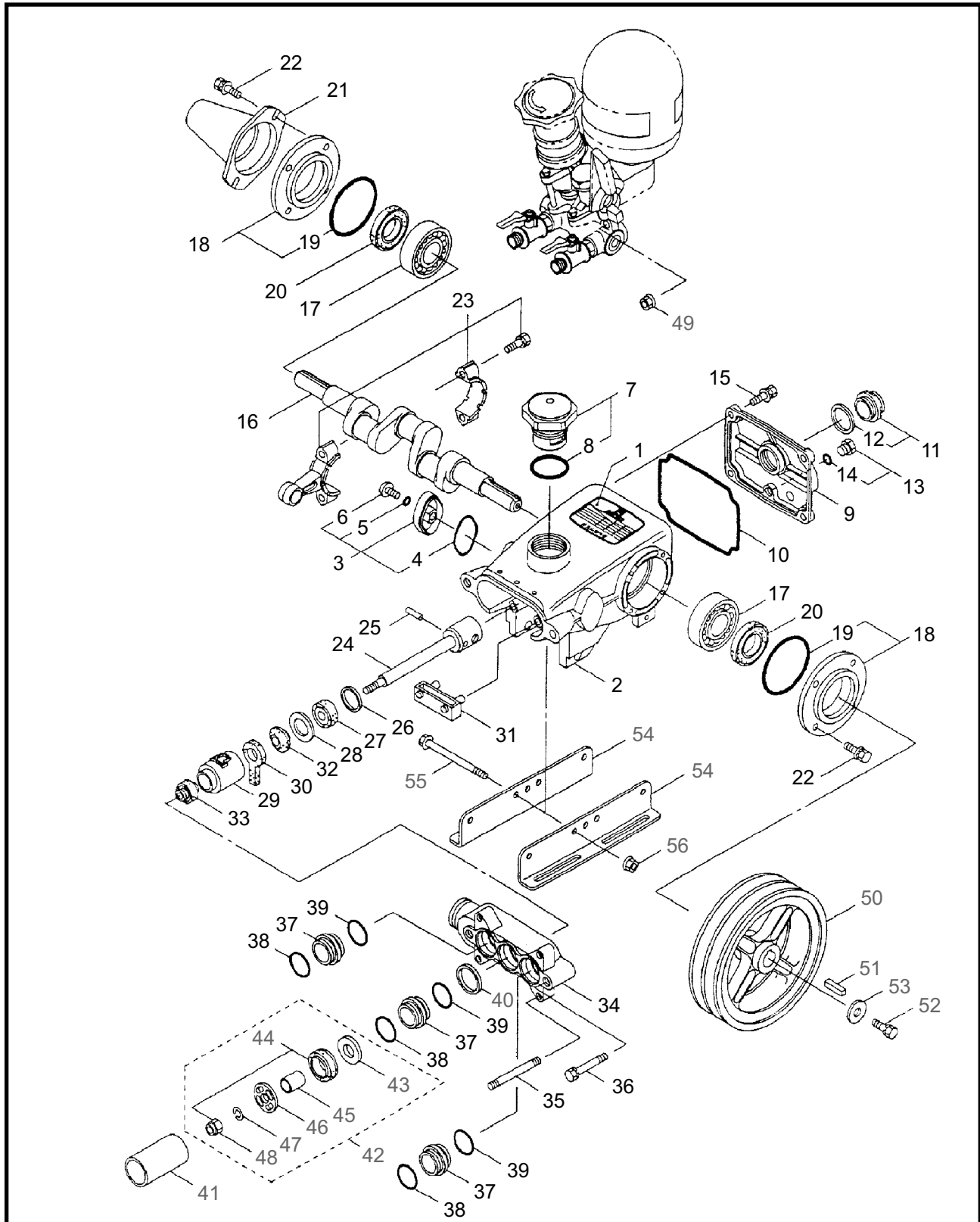


MS313/MS413/MS513
PUMP
PART 845421-REV03/03



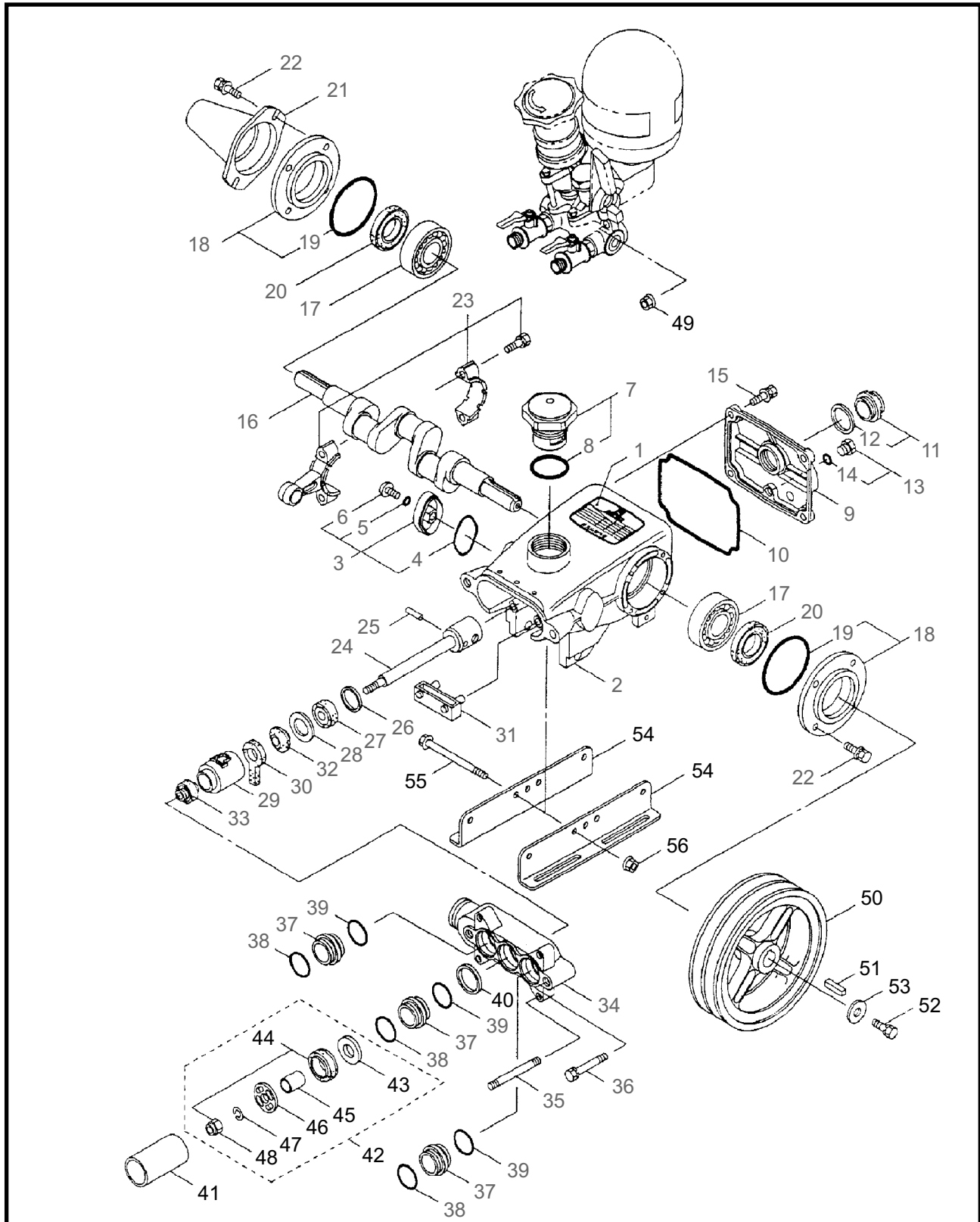
Maruyama. *E x t r a o r d i n a r y .*

CRANKCASE, SUCTION VALVE



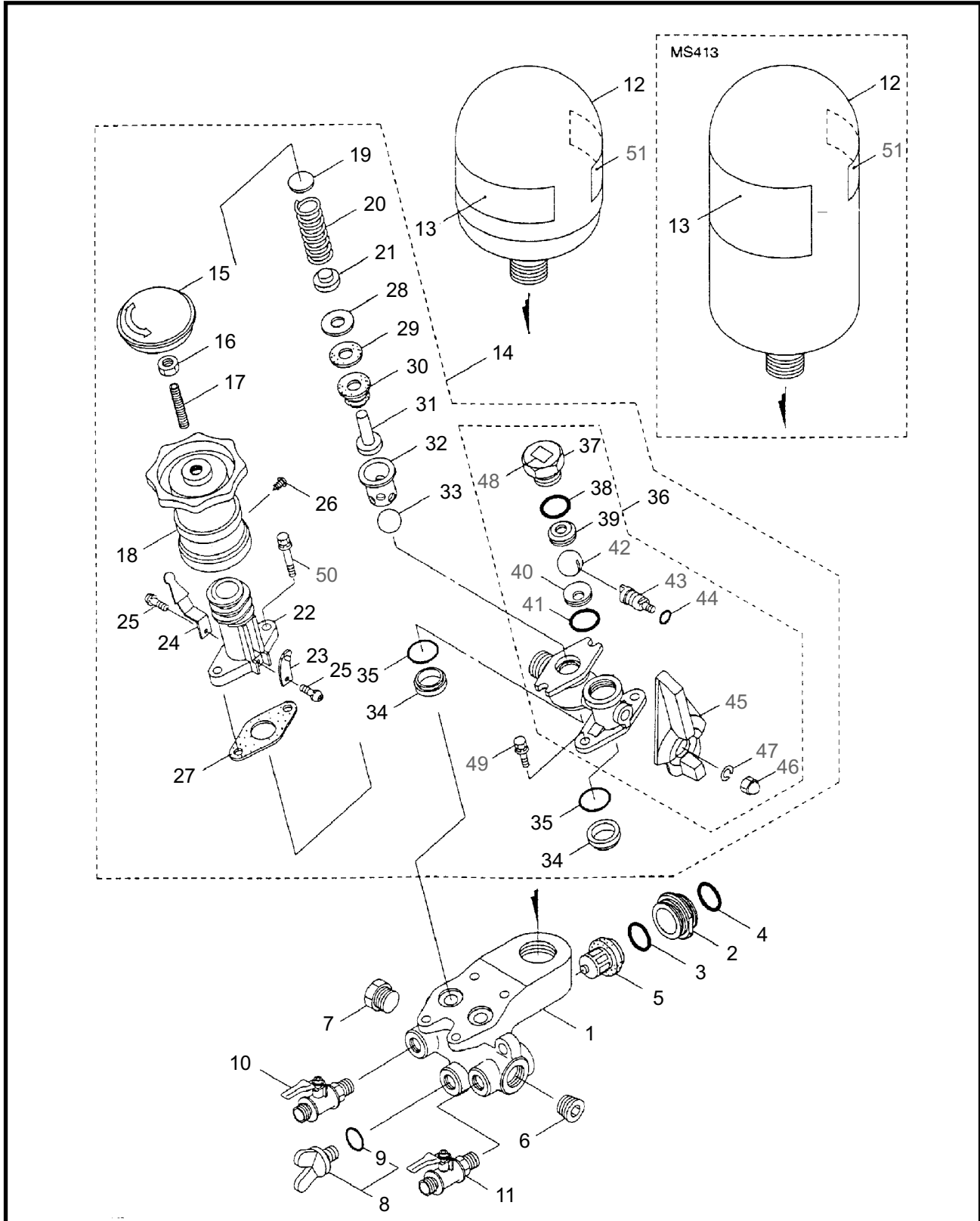
REF #	PART #	DESCRIPTION	Q'TY.	NOTES
1	120850	Name Plate	1	MS313
1	120816	Name Plate	1	MS413
2	120818	Crankcase	1	
3	120821	Oil Gauge Ass'y	1	Incl. 4-6
4	120823	O-Ring	1	
5	013919	O-Ring	1	
6	120824	Screw	1	M6x14
7	091264	Cap	1	Incl. 8
8	014177	O-Ring	1	
9	120826	Crankcase Cap	1	
10	044835	O-Ring	1	
11	092241	Oil Gauge	1	Incl. 12
12	044428	Packing	1	
13	091376	Plug Ass'y	1	Incl. 14
14	023170	O-Ring	1	
15	092519	Bolt	4	M6x16
16	043163	Crankshaft	1	
17	014487	Bearing	2	
18	595607	Oil Seal Case Ass'y	2	Incl. 19
19	026536	O-Ring	2	
20	024159	Oil Seal	2	
21	025130	Protector	1	
22	092519	Bolt	8	M6x16
23	024139	Connecting Rod Ass'y	3	
24	120827	Piston Rod	3	
25	016948	Piston Pin	3	9x22
26	020017	Washer	3	
27	025461	Oil Seal	3	
28	026854	Washer	3	
29	027710	Seal Retainer	3	
30	027711	Oil Wick	3	
31	027712	Oil Pan	1	
32	026853	Packing	3	
33	100015	Seal Packing	3	
34	105507	Inlet Manifold	1	
35	120829	Stud Bolt	4	
36	817034	Bolt	2	M8x45
37	022931	Adapter	3	
38	015862	O-Ring	3	
39	023172	O-Ring	3	

CRANKCASE, SUCTION VALVE



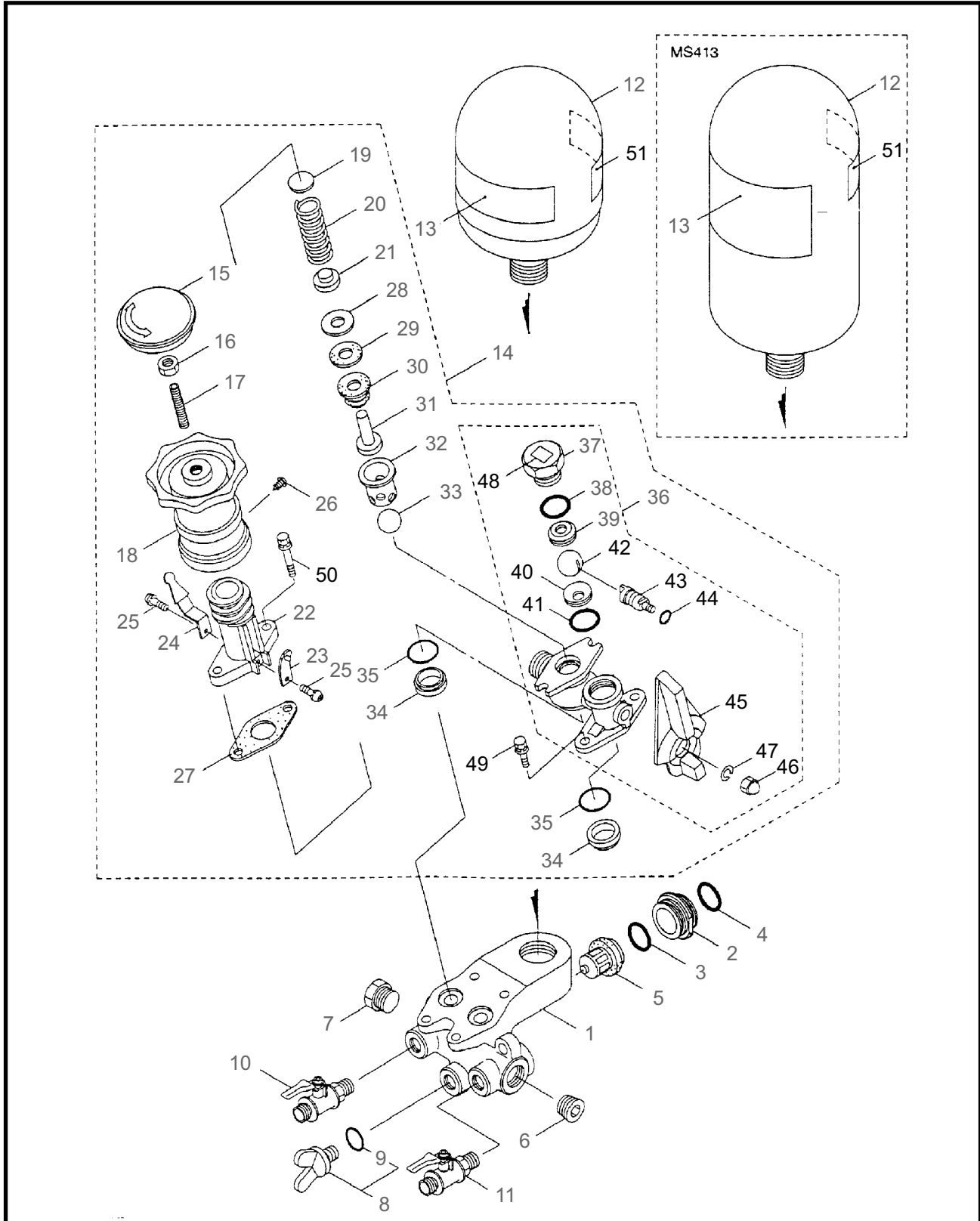
REF #	PART #	DESCRIPTION	Q'TY.	NOTES
40	105508	Packing	1	
41	108065	Cylinder Pipe	3	
42	632583	Inlet Valve Ass'y	3	Incl. 43-48
43	014122	Inlet Valve Seat	3	
44	632586	Piston Packing Ass'y	3	
45	027499	Spacer	3	
46	119917	Piston Retainer	3	
47	015849	Spring Washer	3	M6
48	046365	Nylon Nut	3	M6
49	108468	Flange Nut	4	M8
50	100837	V-Pulley	1	
51	014543	Key	1	
52	092521	Bolt	1	M8x20
53	100836	Washer	1	
54	117633	Rail	2	
55	080275	Bolt	2	
56	101804	Flange Nut	2	M8

PRESSURE REGULATOR VALVE, DISCHARGE VAVLE



REF #	PART #	DESCRIPTION	Q'TY.	NOTES
1	120831	Discharge Manifold	1	
2	105509	Adapter	3	
3	023172	O-Ring	3	
4	015862	O-Ring	3	
5	120276	Valve Ass'y	3	
6	120833	Plug	1	
7	108368	Plug	1	
8	632737	Plug Ass'y	1	Incl. 9
9	023170	O-Ring	1	
10	120834	Ball Cock	1	
11	120835	Ball Cock	1	
12	120852	Air Chamber	1	MS313
12	108416	Air Chamber	1	MS413
13	121442	Label	1	MS313
13	121443	Label	1	MS413
14	816746	Pressure Regulator Valve Ass'y	1	Incl. 15-50
15	121005	Cap	1	
16	084015	Nut	1	M10
17	088975	Set Screw	1	M10x48
18	121006	Grip	1	
19	019917	Spring Seat	1	
20	105520	Spring	1	
21	105521	Spring Receiver	1	
22	105522	Spring Case	1	
23	108474	Plate Spring	1	
24	105524	Pressure Indicator	1	
25	092100	Screw	2	M4x6
26	089899	Tapping Screw	1	M4x13
27	105527	Packing	1	
28	012255	Washer	1	
29	016972	Packing	1	
30	011451	Bellows	1	
31	016975	Rod	1	
32	012256	Sack	1	
33	107238	Valve Ball	1	
34	020971	Valve Seat	2	
35	014179	O-Ring	2	
36	121014	Body Ass'y	1	Incl. 37-48
37	121689	Ball Retainer	1	
38	013971	O-Ring	1	

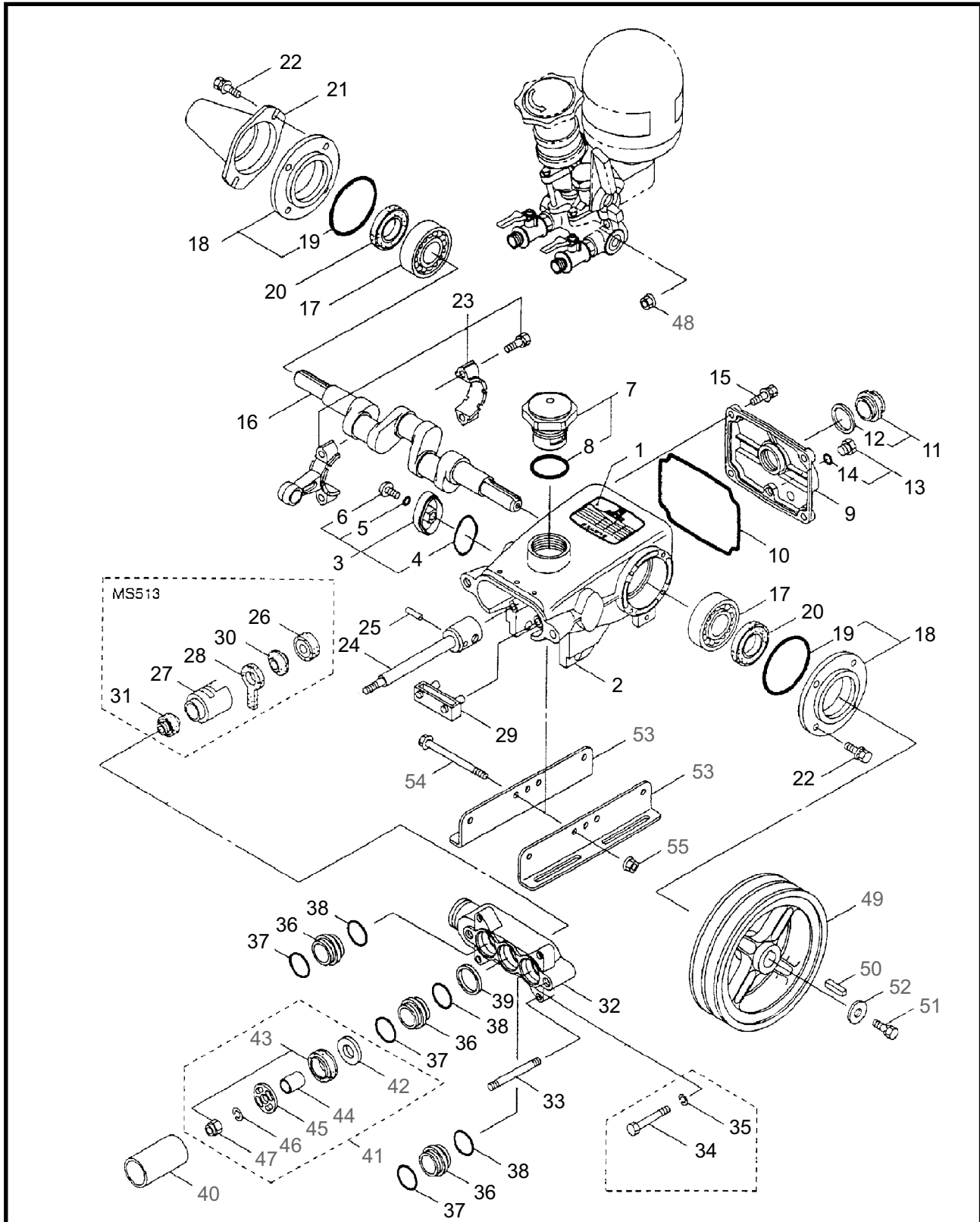
PRESSURE REGULATOR VALVE, DISCHARGE VALVE



REF #	PART #	DESCRIPTION	Q'TY.	NOTES
39	121690	Valve Seat	1	
40	121691	Valve Seat	1	
41	013967	O-Ring	1	
42	120840	Ball Valve	1	
43	120841	Ball Rotator	1	
44	013918	O-Ring	1	
45	121007	Handle	1	
46	100166	Cap Nut	1	M5
47	029754	Spring Washer	1	M5
48	108355	Label	1	
49	092542	Bolt	2	M6x20
50	120843	Bolt	2	M6x55x20
51	121074	Sticker	1	

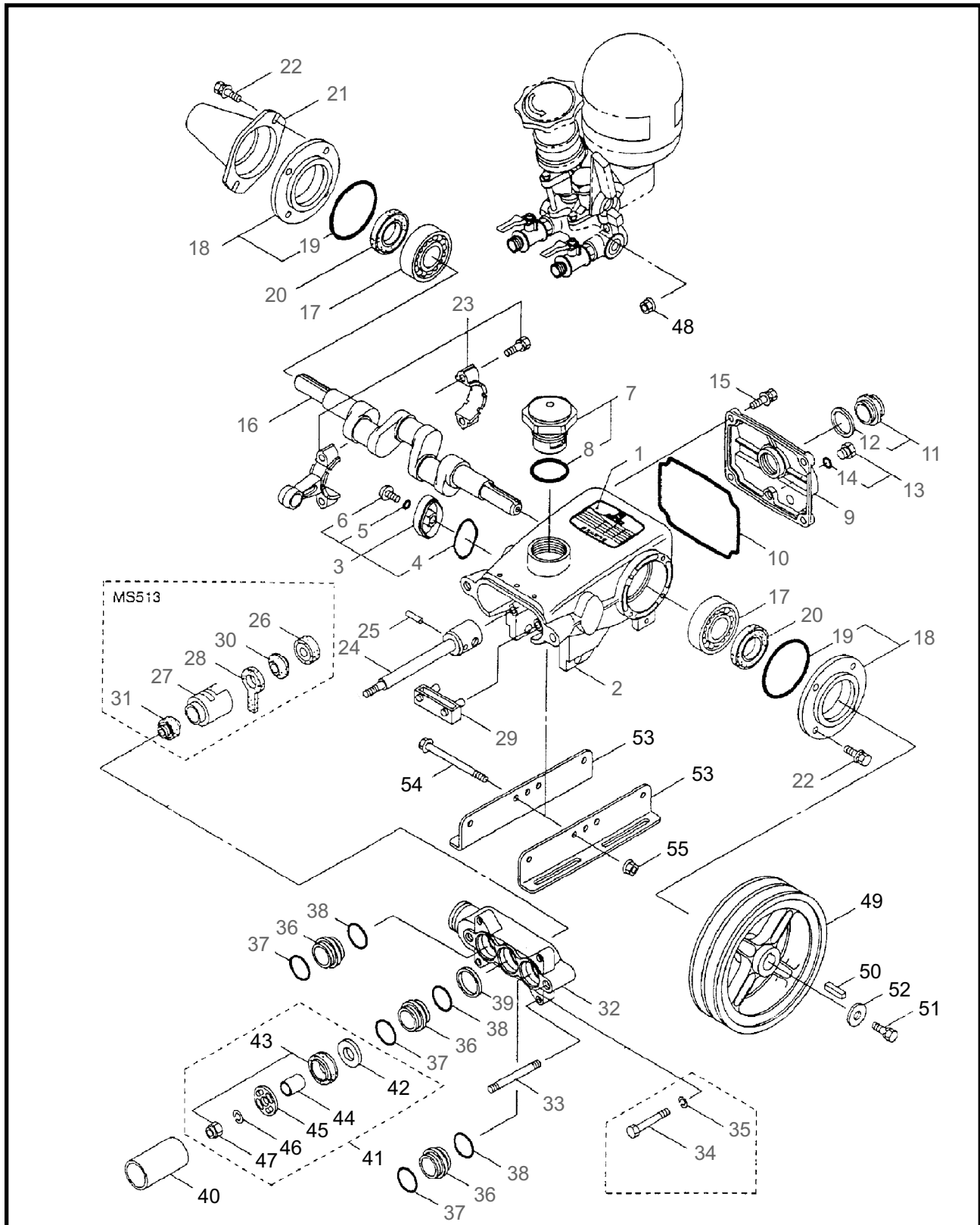
REF #	PART #	DESCRIPTION	Q'TY.	NOTES
1	105936	Suction Hose (19X3M) Ass'y	1	Incl. 2-4
2	098213	Hose Coupling	1	
3	103686	Packing	1	
4	105937	Hose Coupling	1	
5	105930	Suction Strainer Ass'y	1	
6	104344	Discharge Hose (13X3M) Ass'y	1	Incl. 7,8
7	098009	Hose Coupling	1	
8	103685	Packing	1	
9	015773	Oiler	1	
10	091010	Extension Ass'y	1	Incl. 11
11	550090	Packing	1	
12	091015	Extension Ass'y	1	Incl. 13
13	014823	Packing	1	11.5x16.5x1.5
14	107107	Band	1	
15	117730	Safety Manual	1	
16	120844	Instruction Manual	1	
17	109026	Sack	1	
18	060555	Bellows	1	
19	101922	Packing	1	
20	120848	Pressure Gauge	1	
21	105870	Bushing	1	
22	121002	Handle	1	
23	121429	Pressure Gauge Ass'y	1	Incl. 24-30
24	121430	Pressure Gauge	1	
25	011241	Packing	1	
26	015453	Washer	3	
27	148002	Valve	1	
28	027441	Needle Valve Knob	1	
29	011341	O-Ring	1	
30	105870	Bushing	1	

CRANKCASE, SUCTION VALVE



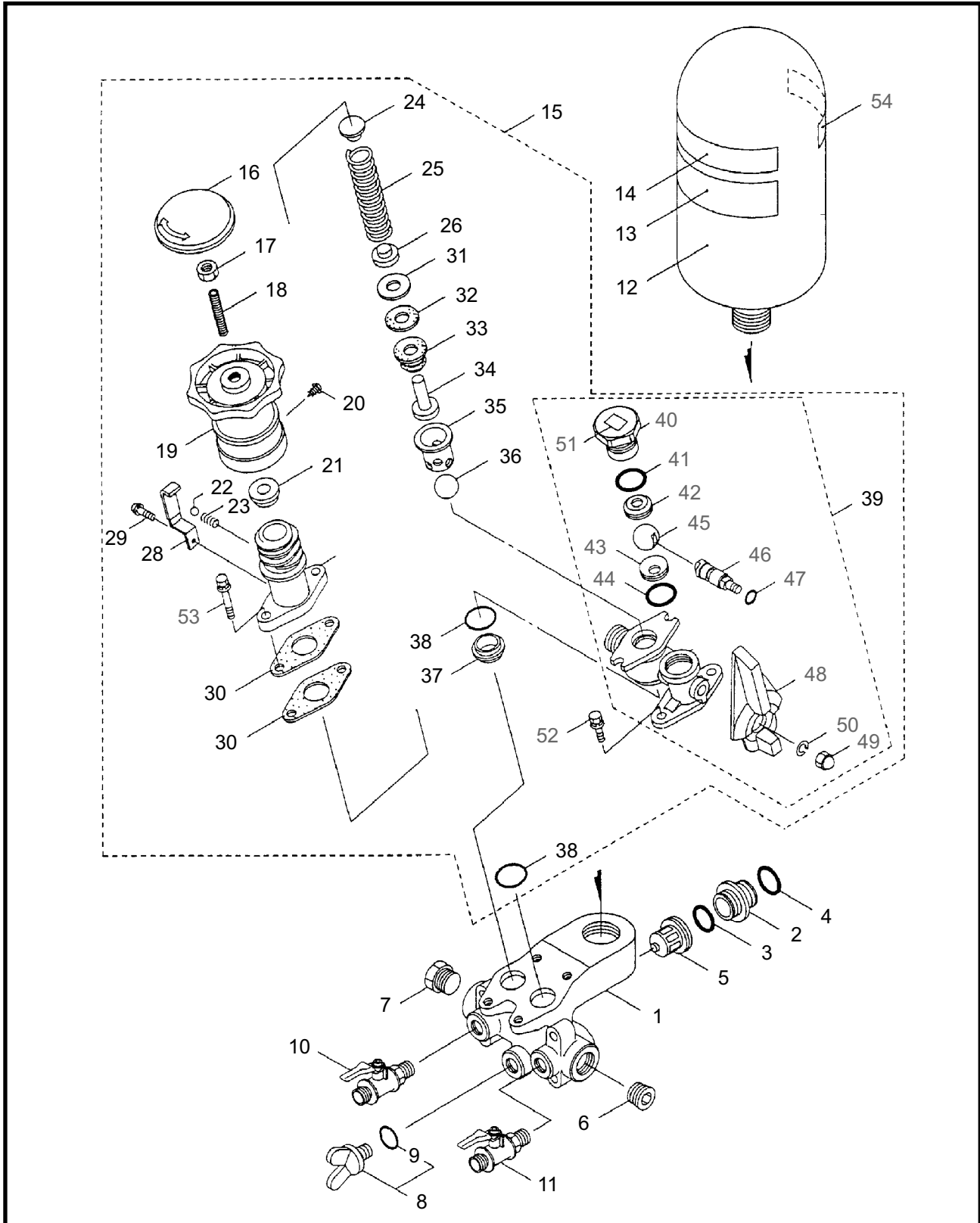
REF #	PART #	DESCRIPTION	Q'TY.	NOTES
1	120943	Name Plate	1	MS513
2	120945	Crankcase	1	
3	120821	Oil Gauge Ass'y	1	Incl. 4-6
4	120823	O-Ring	1	
5	013919	O-Ring	1	
6	120824	Screw	1	M6x14
7	091264	Cap	1	Incl. 8
8	014177	O-Ring	1	
9	120826	Crankcase Cap	1	
10	044835	O-Ring	1	
11	092241	Oil Gauge	1	Incl. 12
12	044428	Packing	1	
13	091376	Plug Ass'y	1	Incl. 14
14	023170	O-Ring	1	
15	092519	Bolt	4	M6x16
16	044273	Crankshaft	1	
17	014480	Bearing	2	
18	620643	Oil Seal Case Ass'y	2	Incl. 19
19	043343	O-Ring	2	
20	043222	Oil Seal	2	
21	109692	Protector	1	
22	092519	Bolt	8	M6x16
23	043345	Connecting Rod Ass'y	3	
24	120948	Piston Rod	3	
25	043351	Piston Pin	3	
26	044285	Oil Seal	3	
27	043530	Seal Retainer	3	
28	043532	Oil Wick	3	
29	043355	Oil Pan	1	
30	026853	Packing	3	
31	100015	Seal Packing	3	
32	103952	Inlet Manifold	1	
33	120950	Stud Bolt	4	
34	080303	Bolt	2	
35	012503	Spring Washer	2	M10
36	044287	Adapter	3	
37	027536	O-Ring	3	
38	043781	O-Ring	3	
39	011261	Packing	1	

CRANKCASE, SUCTION VALVE



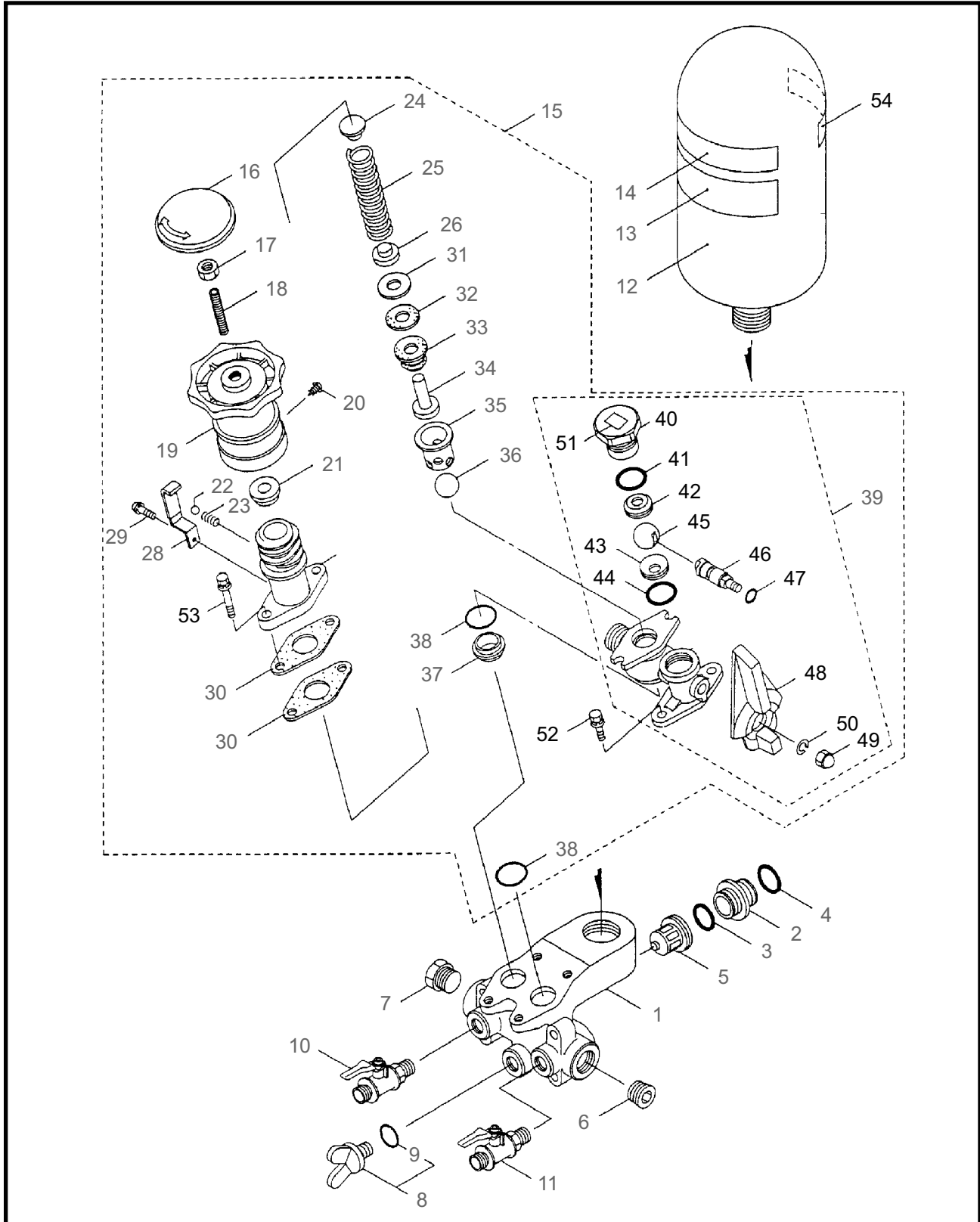
REF #	PART #	DESCRIPTION	Q'TY.	NOTES
40	107992	Cylinder Pipe	3	
41	632584	Inlet Valve Ass'y	3	Incl. 42-47
42	027944	Inlet Valve Seat	3	
43	632587	Piston Packing Ass'y	3	
44	027796	Spacer	3	
45	027947	Piston Retainer	3	
46	015850	Spring Washer	3	M7
47	115598	Nylon Nut	3	M7
48	108468	Flange Nut	4	M8
49	108333	V-Pulley	1	
50	101814	Key	1	6x6x27
51	092521	Bolt	1	M8x20
52	100836	Washer	1	
53	117633	Rail	2	
54	080275	Bolt	2	
55	101804	Flange Nut	2	M8

PRESSURE REGULATOR VALVE, DISCHARGE VALVE



REF #	PART #	DESCRIPTION	Q'TY.	NOTES
1	120952	Discharge Manifold	1	
2	044287	Adapter	3	
3	043781	O-Ring	3	
4	027536	O-Ring	3	
5	121218	Valve Ass'y	3	
6	120909	Plug	1	
7	108399	Plug	1	
8	632737	Plug Ass'y	1	Incl. 9
9	023170	O-Ring	1	P12.5
10	120834	Ball Cock	1	
11	120835	Ball Cock	1	
12	108416	Air Chamber Ass'y	1	
13	121443	Label	1	
14	115372	Label	1	
15	120954	Pressure Regulator Valve Ass'y	1	Incl. 16-53
16	120911	Cap	1	
17	084015	Nut	1	M10
18	120913	Set Screw	1	M10x35
19	120955	Grip	1	
20	089899	Tapping Screw	1	M4x13
21	121081	Spacer	1	
22	011495	Valve Ball	1	1/4
23	121221	Spring	1	
24	108402	Spring Seat	1	
25	120917	Spring	1	
26	120918	Spring Receiver	1	
27	120919	Spring Case	1	
28	121079	Plate	1	
29	092100	Screw	1	M4x6
30	120924	Packing	2	
31	120925	Washer	1	
32	120926	Packing	1	
33	120927	Bellows	1	
34	120929	Rod	1	
35	120930	Sack	1	
36	120931	Valve Ball	1	
37	120932	Seat	1	
38	020285	O-Ring	2	
39	121015	Body Ass'y	1	Incl. 40-51

PRESSURE REGULATOR VALVE, DISCHARGE VALVE



REF #	PART #	DESCRIPTION	Q'TY.	NOTES
40	120933	Ball Retainer	1	
41	013975	O-Ring	1	
42	121692	Valve Seat	1	
43	121693	Valve Seat	1	
44	013970	O-Ring	1	
45	120934	Ball Valve	1	
46	120935	Ball Rotator	1	
47	025300	O-Ring	1	
48	121007	Handle	1	
49	100166	Cap Nut	1	M5
50	029754	Spring Washer	1	M5
51	108355	Sticker	1	
52	118824	Bolt	2	M8x25
53	120937	Bolt	2	M8x70
54	121074	Label	1	

REF #	PART #	DESCRIPTION	Q'TY.	NOTES
1	108450	Suction Hose (25X3.6M) Ass'y	1	Incl. 2-4
2	098011	Hose Coupling	1	
3	103687	Packing	1	
4	028657	Hose Coupling	1	
5	105930	Suction Strainer Ass'y	1	
6	108452	Discharge Hose (19X3.6M) Ass'y	1	Incl. 7,8
7	098213	Hose Coupling	1	
8	103686	Packing	1	
9	015773	Oiler	1	
10	091010	Extension	1	
11	091015	Extension	1	
12	550090	Packing	1	
13	014823	Packing	1	
14	107107	Band	1	
15	117730	Safety Manual	1	
16	120844	Instruction Manual	1	
17	120848	Pressure Gauge	1	
18	534268	Bushing	1	
19	121002	Handle	1	
20	121431	Pressure Gauge Ass'y	1	Incl. 21-27
21	121444	Pressure Gauge	1	
22	011241	Packing	1	
23	015453	Washer	3	
24	148002	Valve	1	
25	027441	Needle Valve Knob	1	
26	011341	O-Ring	1	
27	534268	Bush	1	



Maruyama U.S., Inc.

Post Office Box 309

Auburn, WA 98071-0309

253-735-7368 voice

253-735-1416 fax

www.maruyama-us.com