



MARUYAMA U.S., INC.

15436 N.E. 95th St., Redmond, Washington 98052
P.O. Box 2167, Redmond, Washington 98073-2167
Phone (206) 885-0811 Fax (206) 885-0123

ILLUSTRATED PARTS LIST

MODEL: MG10

GRANULE SPREADER

Effective 6-20-93

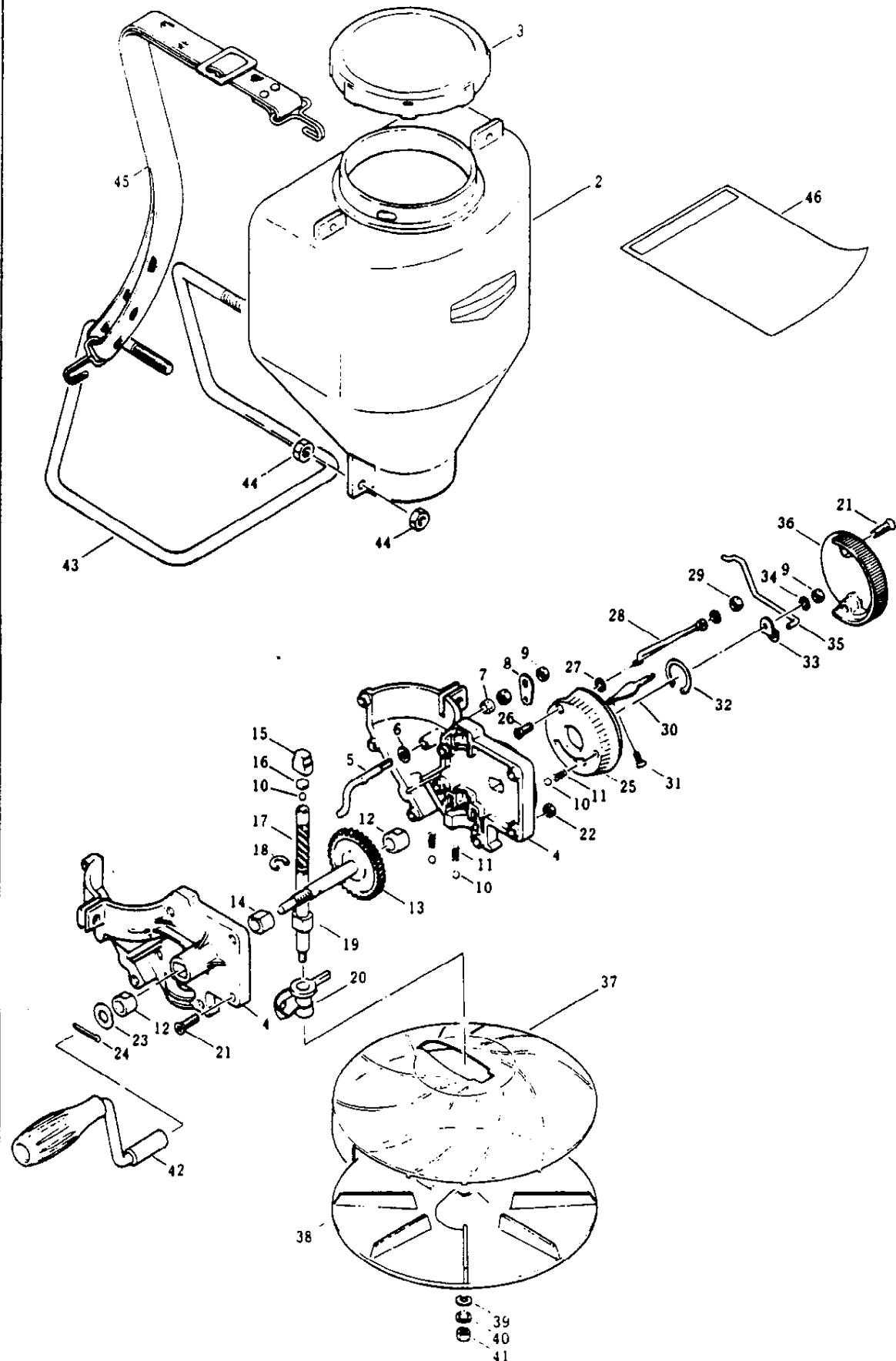


Maruyama — Manufacturing quality agricultural sprayers and equipment since 1895.

PARTS LIST

MODEL MG10

1. MAIN BODY, ACCESSORIES



MARUYAMA U.S., INC.

| Ref No | Parts No. | Parts Name | Qty | Ref. No. | Parts No. | Parts Name | Qty |
|--------|-----------|---------------------------------|-----|----------|-----------|--------------------|-----|
| 1-1 | 338119 | MG 10 | 1 | 1-41 | 941076 | Nut | 1 |
| 1-2 | 976579 | Tank main body | 1 | 1-42 | 941077 | Handle | 1 |
| 1-3 | 976578 | Tank cap | 1 | 1-43 | 941533 | Hanging frame | 1 |
| 1-4 | 941045 | Gear case (includes both sides) | 1 | 1-44 | 941032 | Nut | 4 |
| 1-5 | 941046 | Agitator shaft | 1 | 1-45 | 941033 | Strap | 1 |
| 1-6 | 941018 | Washer | 1 | 1-46 | 941034 | Instruction manual | 1 |
| 1-7 | 941047 | Collar | 1 | | | | |
| 1-8 | 941048 | Agitator arm (B) | 1 | | | | |
| 1-9 | 941016 | Nut | 3 | | | | |
| 1-10 | 941025 | Steel ball (7/32") | 4 | | | | |
| 1-11 | 941049 | Spring | 3 | | | | |
| 1-12 | 941050 | Handle shaft metal (A) | 2 | | | | |
| 1-13 | 941051 | Handle shaft | 1 | | | | |
| 1-14 | 941052 | Handle shaft metal (B) | 1 | | | | |
| 1-15 | 941053 | Propeller shaft metal (A) | 1 | | | | |
| 1-16 | 941054 | Washer | 1 | | | | |
| 1-17 | 941055 | Propeller shaft | 1 | | | | |
| 1-18 | 941056 | C-shaped snap ring | 1 | | | | |
| 1-19 | 941057 | Propeller shaft metal (B) | 1 | | | | |
| 1-20 | 941058 | Direction adjuster- | 1 | | | | |
| 1-21 | 941059 | Screw | 10 | | | | |
| 1-22 | 941060 | Nut | 8 | | | | |
| 1-23 | 941028 | Washer | 1 | | | | |
| 1-24 | 941029 | Cotter pin | 1 | | | | |
| 1-25 | 941061 | Volume adjuster | 1 | | | | |
| 1-26 | 941062 | Screw | 1 | | | | |
| 1-27 | 941063 | Washer | 2 | | | | |
| 1-28 | 941064 | Shutter rod | 1 | | | | |
| 1-29 | 941065 | Nut | 1 | | | | |
| 1-30 | 941066 | Volume shutter | 1 | | | | |
| 1-31 | 941068 | Screw | 1 | | | | |
| 1-32 | 941069 | C-shaped snap ring | 1 | | | | |
| 1-33 | 941070 | Agitator arm (A) | 1 | | | | |
| 1-34 | 941004 | Spring washer | 1 | | | | |
| 1-35 | 941071 | Agitator rod | 1 | | | | |
| 1-36 | 941072 | Volume adjuster cover | 1 | | | | |
| 1-37 | 941531 | Propeller upper lid | 1 | | | | |
| 1-38 | 941074 | Propeller | 1 | | | | |
| 1-39 | 012488 | Washer | 1 | | | | |
| 1-40 | 941532 | Star Washer | 1 | | | | |