



MARUYAMA U.S., INC.

15436 N.E. 95th St., Redmond, Washington 98052
P.O. Box 2167, Redmond, Washington 98073-2167
Phone (206) 885-0811 Fax (206) 885-0123

ILLUSTRATED PARTS LIST

MODEL: MG51

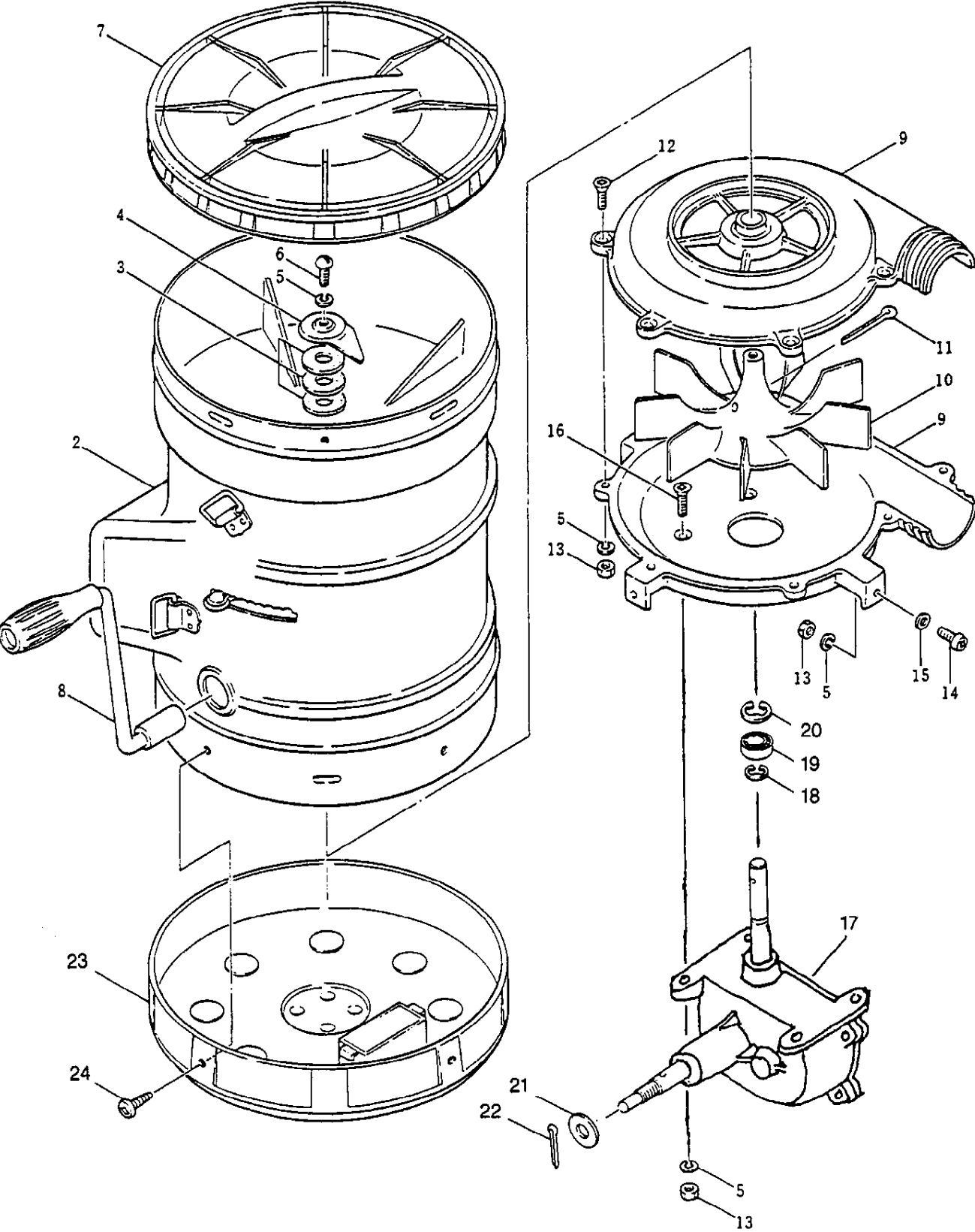
MANUAL DUSTER

Effective 6-20-93



MODEL MG-51

1. Main Body & Tank Assembly

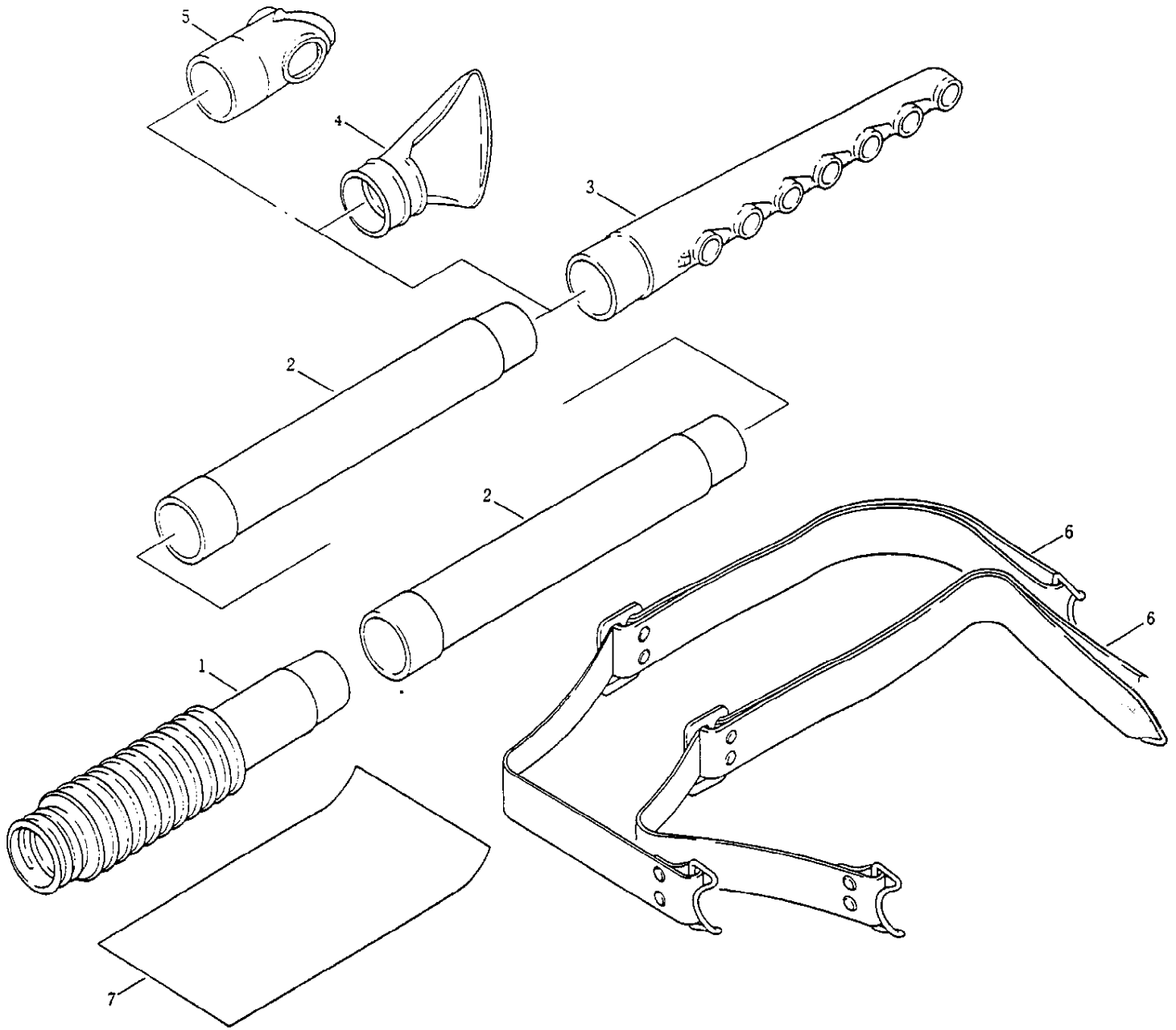


MG-51 MANUAL DUSTER

Ref. No.	Part No.	Part Name	Qty	Remarks
1 - 1	338122	MG51	1	
1 - 2	570730	Tank Ass'y	1	
1 - 3	941002	Felt Packing	3	
1 - 4	941003	Agitator	1	
1 - 5	941004	Lock Washer	16	M5
1 - 6	941005	Screw	1	M5 x 10LH
1 - 7	999985	Lid, Tank	1	
1 - 8	941011	Handle	1	
1 - 9	941012	Fan Case	1	
1 - 10	570731	Fan	1	
1 - 11	941014	Cotter Pin	1	ø 3 x 35L
1 - 12	941015	Screw	7	M5 x 18L
1 - 13	941016	Nut	15	M5
1 - 14	941017	Screw	4	M5 x 12L
1 - 15	941018	Washer	4	M5
1 - 16	941019	Screw	4	M5 x 18L
1 - 17	941020	Gear Case Ass'y	1	.
1 - 18	941024	E-Ring	1	ø 8
1 - 19	570732	Bearing	1	No6000Z
1 - 20	570733	Snap Ring	1	H26
1 - 21	941028	Washer	1	M10
1 - 22	941029	Cotter Pin	1	ø 2.5 x 15
1 - 23	570737	Tank Base	1	
1 - 24	570738	Screw	4	M4 x 16 x 10

MODEL MG-51

2. Accessories



Ref. No.	Part No.	Part Name	Qty	Remarks
2 - 1	941035	Flexible Pipe	1	
2 - 2	941036	Straight Pipe	2	
2 - 3	941037	Multi-Blow Nozzle	1	
2 - 4	941038	Fan Nozzle	1	
2 - 5	941039	Y-Shape Nozzle	1	
2 - 6	941040	Shoulder Band	1	
2 - 7	570740	Instruction Manual	1	