

**MARUYAMA**

ILLUSTRATED PARTS LIST

**MCV331T**  
CHAINSAW



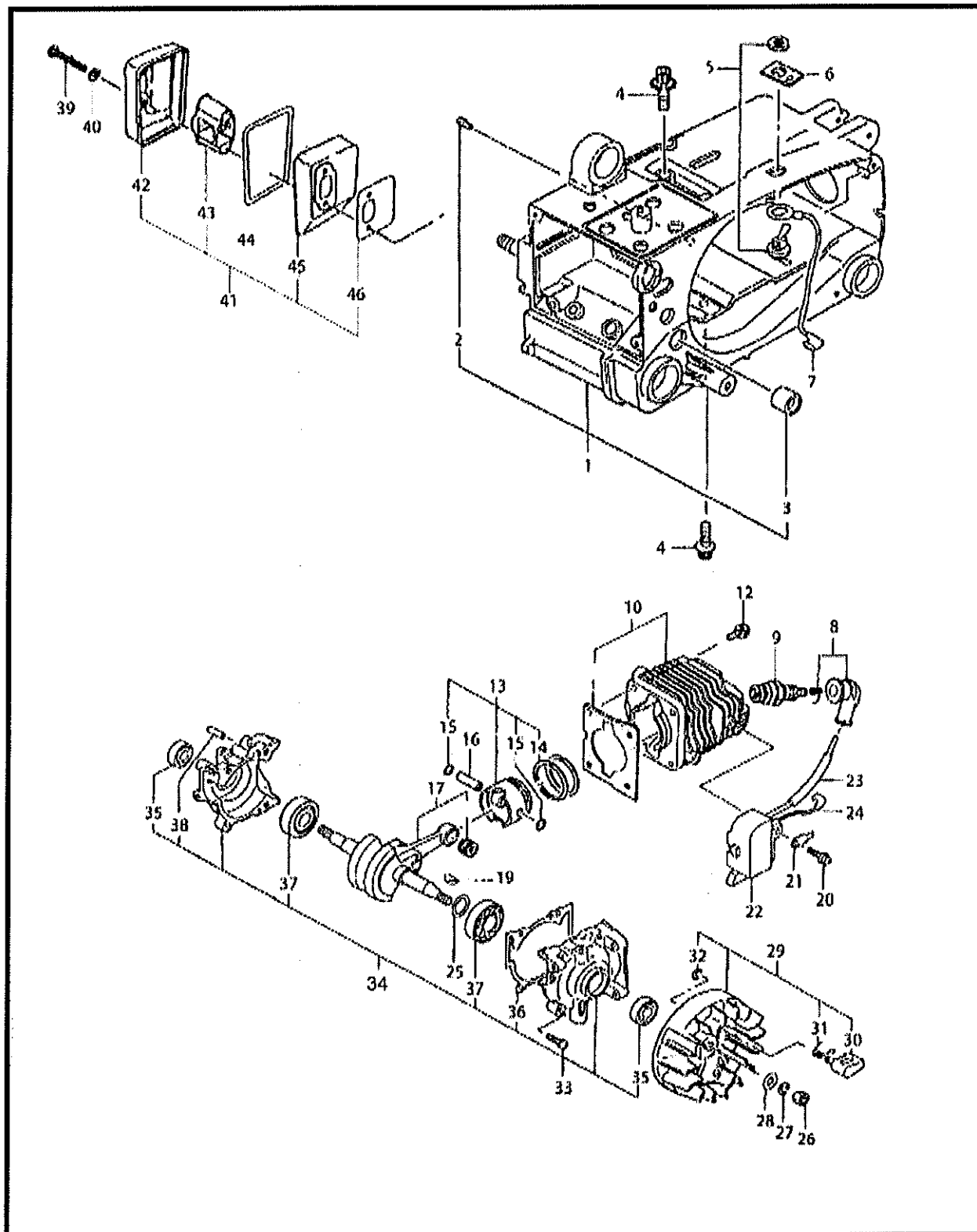
MCV331T  
CHAINSAW  
PART 522164



Maruyama. *E x t r a o r d i n a r y .*

2 | ILLUSTRATED PARTS LIST  
MCV331T

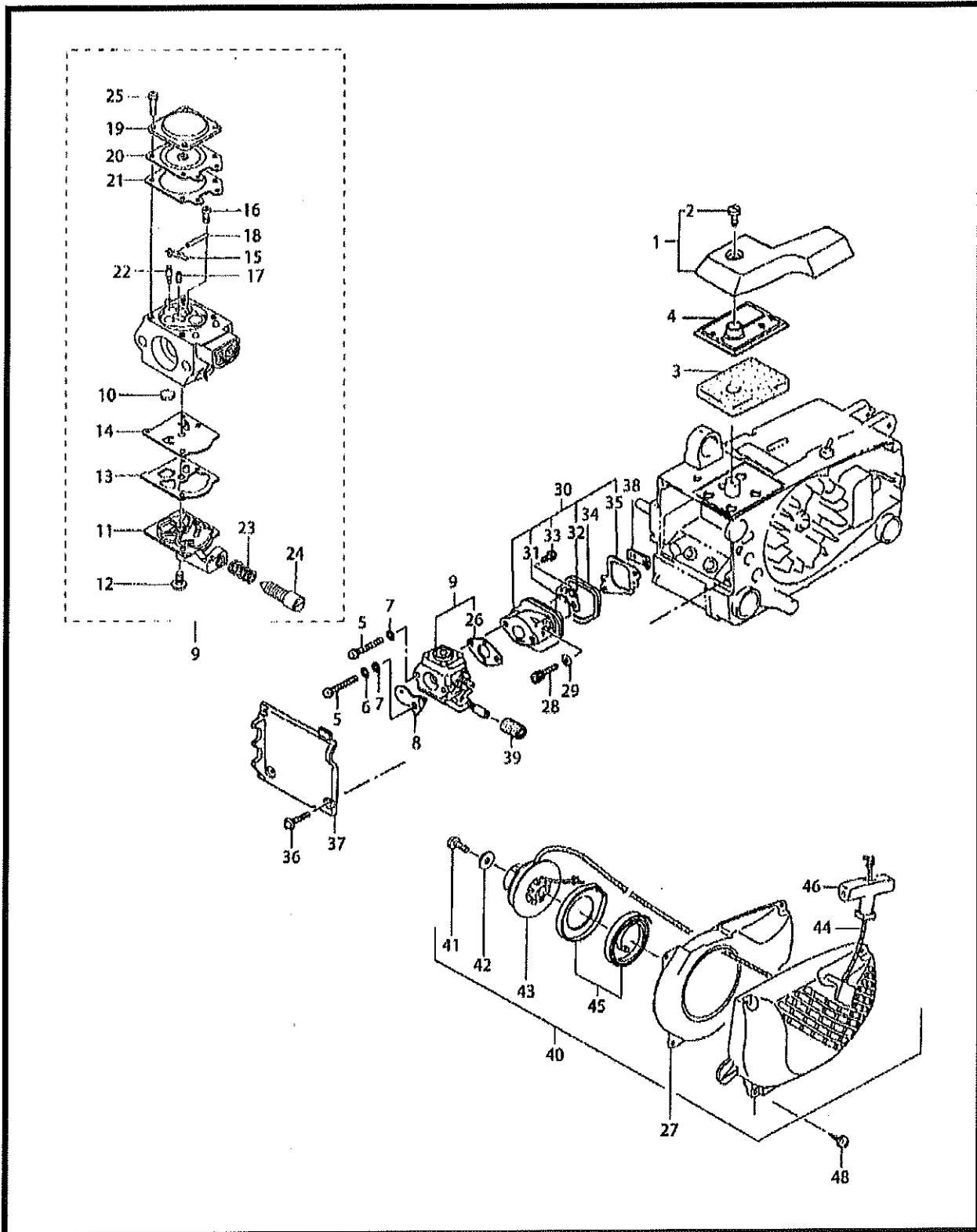
**ENGINE**



REF #	PART #	DESCRIPTION	Q'TY.	NOTES
1	400586	Engine Case Ass'Y Red	1	Incl.2,3 560-3294S-90
2	400587	Air Vent Valve B	1	562-04060-20
3	400588	Air Vent Valve Set	1	645-01750-90
4	400589	Hex.Hole Bolt	4	5x20 994-63050-204
5	400590	Stop Switch Ass'y	1	162-01740-90
6	400591	Switch Name Plate	1	183-01300-20
7	400592	Ground Cord Comp.	1	274-01700-80
8	400593	Spark Plug Cap Ass'y	1	157-11666-90
9	400594	Spark Plug RCJ-8	1	018-00562-20
10	400595	Cylinder Set	1	Incl.11 001-01740-91
11	620374	Cylinder Gasket	1	017-01740-20
12	400596	Hex.Hole Bolt 5X16	4	994-61050-164
13	400597	Piston Set	1	Incl.14,15 030-01741-90
14	400598	Piston Ring	2	041-01730-20
15	620376	Piston Pin Circlip	2	039-00000-20
16	400599	Piston Pin	1	037-01400-20
17	620377	Crank Shaft Comp.	1	Incl.18 046-01740-80
18	972682	Needle Bearing	1	999-62091-325
19	400600	Woodruff Key	1	068-10100-20
20	620384	High Tension Screw	2	994-16040-186
21	400601	Tab	1	205-01700-20
22	625120	Ignition Coil Comp.	1	167-21540-80
23	400602	Cord Insulator Tube	1	755-32050-20
24	620391	Cord, B	1	178-01740-80
25	620378	Shim 0.1	1	071-04063-21
25	620379	Shim 0.2	1	071-04063-23
25	620380	Shim 0.3	1	071-04063-24
25	400603	Shim 0.4	1	071-04063-25
26	400604	Flywheel Nut 12	1	066-00000-20
27	972382	S.Washer 7	1	992-10070-012
28	995318	Washer 7	1	992-01070-011
29	625121	Magneto Rotor Ass'y	1	Incl.30-32 155-21540-90
30	620382	Starter Pawl	2	788-01740-20
31	620383	Starter Pawl Spring	2	790-01740-20
32	979652	Stop Ring	2	993-55040-001
33	620390	Hex. Hole Bolt 5x20	4	5x20 994-61050-204
34	400605	Crank Case Ass'y	1	Incl.35-38 072-01740-93
35	991400	Oil Seal	2	999-66122-200
36	400606	Crank Case Gasket	1	090-01741-20
37	620388	Ball Bearing	2	999-61620-106
38	995327	Needle Roller	1	999-05250-980
39	972795	Screw	2	5x40 990-11050-401
40	947034	Washer	2	M5
41	400607	Muffler Set	1	Incl.42-46 704-0174C-90
42	400608	Muffler Body B Comp.	1	717-01731-80
43	400609	Muffler Fitting Metal	1	724-01709-20
44	400610	Muffler Joint Gasket	1	739-01709-20
45	400611	Muffler Body A Comp.	1	716-01709-80
46	400612	Muffler Gasket	1	737-01700-20

4 ILLUSTRATED PARTS LIST  
MCV331T

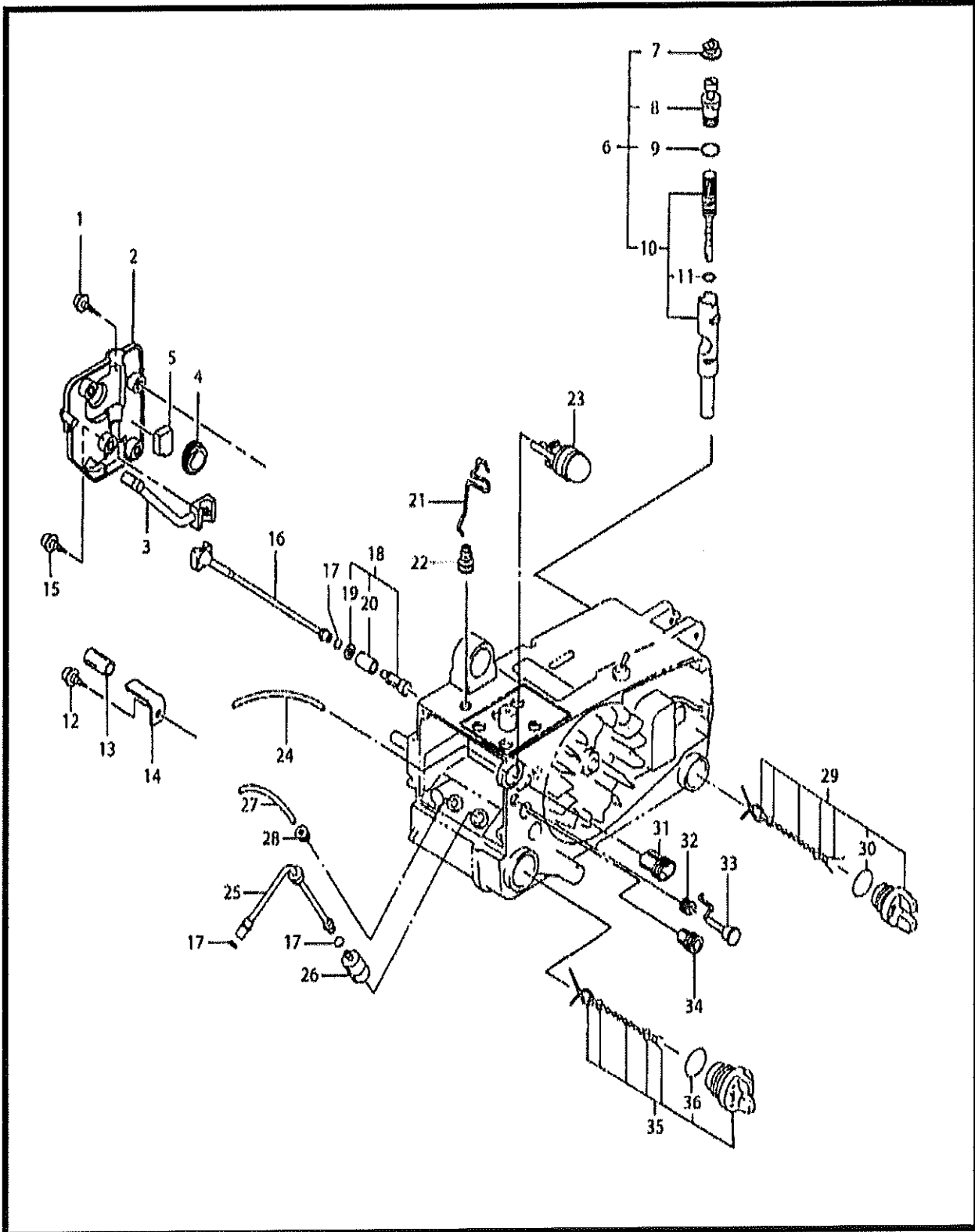
# RECOIL STARTER / CARBURETOR



REF #	PART #	DESCRIPTION	Q'TY.	NOTES
1	400613	Cleaner Cover	1	Incl.2 051-3291J-91
2	400614	Cleaner Cover Bolt	1	380-0631A-20
3	620652	Air Cleaner Sponge	1	446-01740-20
4	620393	Air Cleaner Element Comp.	1	420-01740-80
5	975822	Screw	2	5x45 994-14050-451
6	972380	Small Washer	1	992-00050-011
7	400615	Choke Valve Shim	2	708-32350-20
8	400616	Choke Valve	1	700-32918-20
9	400617	Carburetor Set	1	Incl.10-26 455-32947-90
10	400618	Inlet Screen	1	578-25007-20
11	400619	Pump Body	1	575-25006-20
12	400620	Set Screw	1	514-25001-20
13	400621	Pump Gasket	1	577-25007-20
14	400622	Pump Diaphragm	1	576-25006-20
15	400623	Valve Hinge	1	473-25001-20
16	400624	Hinge Pin Set Screw	1	546-25001-20
17	400625	Valve Spring	1	477-25088-20
18	400626	Hinge Pin	1	605-25001-20
19	400627	Diaphragm Cover	1	476-25004-20
20	400628	Metering Diaphragm Comp.	1	474-25001-80
21	400629	Diaphragm Gasket	1	475-25038-20
22	625125	Needle Valve	1	603-25012-20
23	400630	Idle Adjust Spring	1	463-25006-20
24	400631	Idle Adjust Screw	1	462-25016-20
25	400632	Set Screw	4	548-25012-20
26	991541	Carburetor Gasket	1	402-01740-20
27	400633	Air Deflector	1	145-01743-20
28	620390	Hex. Hole Bolt 5x20	2	5x20 994-61050-204
29	972380	Small Washer	2	992-00050-011
30	400634	Carburetor Insulator Set, Spare	1	Incl.31-35 404-01740-91
31	400635	Reed Valve	1	394-01700-20
32	400636	Reed Valve Holder	1	395-01730-20
33	620396	Binding Head Screw	2	3x12 990-15030-121
34	400637	Carburetor Insulator Rubber	1	409-01700-20
35	400638	Inlet Manifold Gasket	1	403-01740-21
36	625134	Tapping Screw	3	4.5x14 990-75045-144
37	625119	Air Cleaner Cover B, Black	1	152-3291J-21
38	620401	Seal Cover	1	129-01730-20
39	400639	Idle Sponge	1	25L 191-32970-20
40	400640	Recoil Starter Ass'y	1	Incl.41-47 756-0174K-91
41	620409	Tapping Screw	1	5x14 990-72050-144
42	400641	Brake Shaft Washer	1	368-32350-20
43	620410	Starter Pulley	1	774-01740-20
44	620411	Starter Rope	1	3x890 783-01740-20
45	620412	Recoil Spring Case	1	778-01740-90
46	400642	Starter Handle	1	785-01743-20
47	400643	Fan Case Comp.	1	112-0174K-81
48	620415	Tapping Screw	4	4.5x20 990-72045-204

6 ILLUSTRATED PARTS LIST  
MCV331T

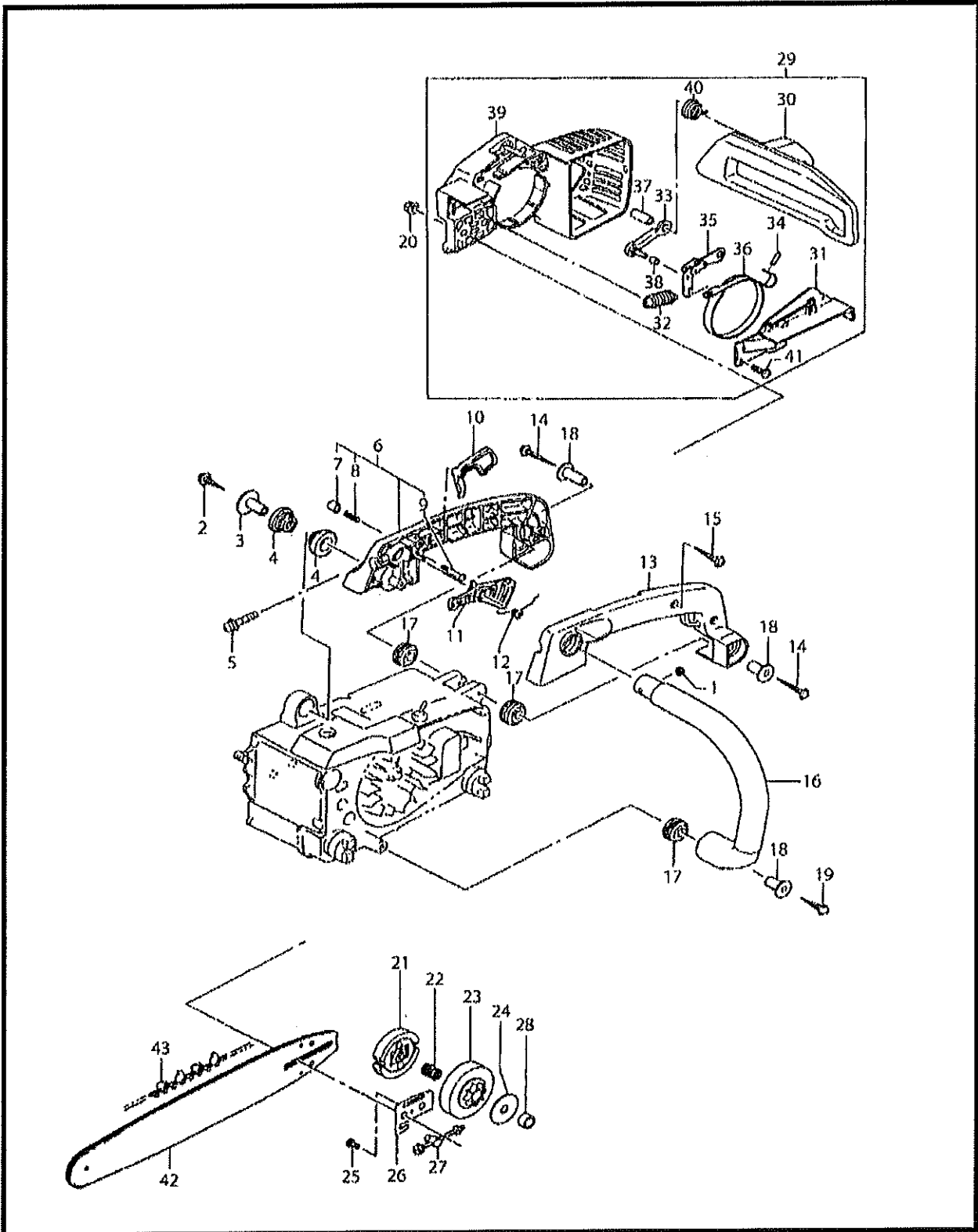
**OIL PUMP**



REF #	PART #	DESCRIPTION	Q'TY.	NOTES
1	620420	Screw	2	5x14 994-16050-141
2	620421	Oil Pump Cover	1	097-32900-20
3	400644	Oil Pipe A	1	515-32710-20
4	620422	Screw Gear	1	084-32900-20
5	400645	Air Vent Sponge	1	567-01700-20
6	620423	Oil Pump Ass'y	1	Incl.7-11 144-32902-90
7	400646	Oil Adjust Grommet	1	488-32710-21
8	400647	Oil Pump Adjuster	1	501-32710-21
9	979658	O-Ring	1	P-6 999-67006-000
10	620424	Oil Pump Case Set, Spare	1	Incl.11 088-3277A-91
11	979658	O-Ring	1	P-6 999-67006-000
12	620409	Tapping Screw	1	5x14 990-72050-144
13	400648	Vinyl Pipe	1	7x10.5x20 700-07105-02
14	400649	Chain Catcher	1	125-32710-20
15	625134	Tapping Screw	2	4.5x14 990-75045-144
16	400650	Oil Pipe B	1	505-32710-20
17	400651	Clip 7	3	680-04019-21
18	620402	Oil Filter Body Ass'y	1	Incl.19,20 486-32710-90
19	947034	Washer	1	M5
20	400652	Oil Filter	1	487-32712-20
21	400653	Throttle Rod	1	490-32910-20
22	400654	Throttle Guide	1	491-32710-20
23	620404	Priming Pump Comp.	1	442-25143-80
24	620405	Fuel Pipe	1	2.5x4x42 700-02504-04
25	629287	Rubber Pipe	1	678-01740-20
26	400655	Pump Filter Body Ass'y	1	675-11600-90
27	400656	Fuel Pipe	1	2.5x4x150 700-02504-15
28	400657	Return Grommet	1	534-32710-20
29	400658	Oil Tank Cap Ass'y	1	Incl.30 642-32719-90
30	995368	O-Ring	1	P-18 999-67018-000
31	400659	Adjuster Cap	1	190-3290G-20
32	400660	Grommet	1	707-32710-20
33	400661	Choke Button Comp.	1	704-32710-80
34	400662	Grommet	1	191-32710-20
35	400663	Fuel Tank Cap Ass'y	1	Incl.36 635-32719-90
36	979662	O-Ring	1	P-20 999-67020-000

**8** ILLUSTRATED PARTS LIST  
MCV331T

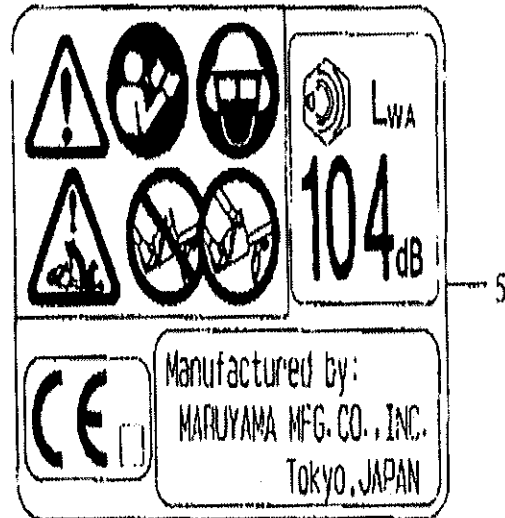
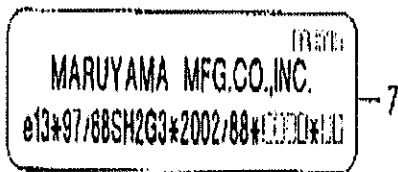
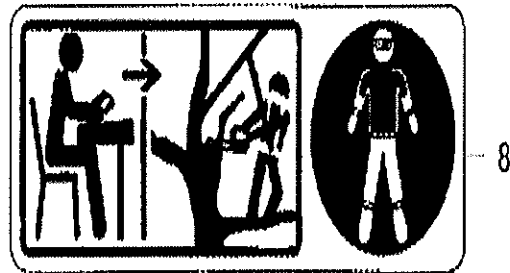
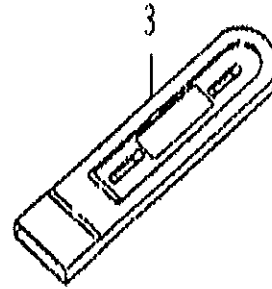
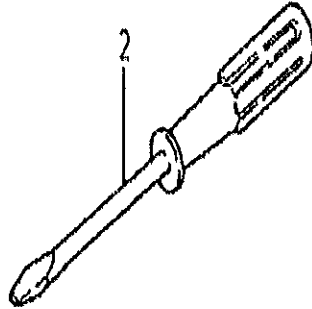
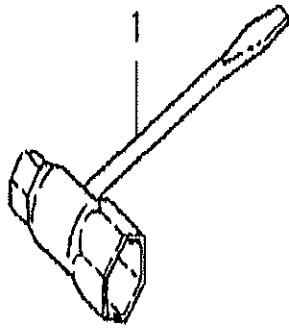
**HANDLE / CLUTCH**





REF #	PART #	DESCRIPTION	Q'TY.	NOTES
1	403979	Screw	1	5x25 994-15050-251
2	947034	Washer	1	M5
3	990829	U-Nut	1	5 991-74050-010
4	620436	Screw	1	5x40 994-14050-401
5	972380	Small Washer	1	992-00050-011
6	400666	Damper Collar A	1	275-32710-20
7	400667	Damper A	2	219-32750-20
8	990829	U-Nut	1	5 991-74050-010
9	403980	Rear Handle B Comp.	1	Incl.10-12 011-3290M-80
10	400669	Push Pin Cap	1	725-32902-20
11	620441	Stopper Spring	1	066-32300-20
12	403981	Push Pin	1	064-33225-20
13	403982	Safety Lever	1	257-32920-20
14	620443	Throttle Lever	1	060-32900-20
15	620444	Throttle Lever Spring	1	061-32750-20
16	971923	Hex. Nut	5	4 991-01040-011
17	403983	Rear Handle A Black	1	010-32750-81
18	620447	Screw	5	4x22 994-16040-221
19	403984	Front Handle Comp.	1	209-32750-80
20	400676	Damper B	3	266-32750-20
21	400677	Damper Collar B	3	276-32710-20
22	620448	Tapping Screw	1	5x35 990-73050-354
23	620448	Tapping Screw	2	5x35 990-73050-354
24	400678	Chain Bar Clamp Nut	1	121-32530-20
25	620419	Clutch Comp.	1	287-01700-81
26	979493	Needle Bearing	1	999-62101-301
27	400679	Clutch Housing	1	310-32710-20
28	400680	Clutch Washer	1	358-04050-20
29	995407	Screw	1	4x10 993-41040-101
30	620430	Plate	1	466-32710-21
31	620431	Tension Adjustment Bolt Assy.	1	116-32735-90
32	620432	Crank Shaft Collar	1	511-32900-20
33	403977	Side Case Assy.	1	Incl.34-45 040-3296E-90
34	620451	Brake Handle	1	365-32901-80
35	629286	Brake Link Cover, Black	1	375-32900-21
36	620453	Brake Spring	1	374-32900-20
37	620454	Brake Link Support Comp.	1	386-32901-80
38	620455	Needle Roller	1	999-05300-980
39	620456	Brake Link Comp.	1	379-32901-80
40	403978	Brake Band	1	378-3291R-20
41	400683	Cleaner Fixing Collar	1	470-10246-20
42	620459	Collar	1	031-32901-20
43	400684	Side Cover Comp.	1	039-3294E-80
44	620461	Blake Lever Spring	1	388-32900-20
45	620462	Hi-Lo Screw	3	4x15 993-41040-151
46	842461	Chain Bar	1	14 inch 108-3296E-20
47	842458	Chain	1	14x3/8 129-32900-20

# ACCESSORIES



<b>REF #</b>	<b>PART #</b>	<b>DESCRIPTION</b>	<b>Q'TY.</b>	<b>NOTES</b>
1	400687	Combine Box Spanner	1	10x19 013-29323-50
2	400688	Minus Driver	1	4x50 081-29329-7U
3	400689	Chain Cover	1	12 943-32713-20
4	400690	Name Plate	1	MCV331T 906-3294E-20
5	400691	Caution Mark A	1	MARUYAMA 909-3294E-20
6	400692	Starter Mark	1	MARUYAMA 915-3294E-20
7	400693	Caution Mark	1	919-3294E-20
8	400694	Caution Mark A	1	919-72001-20



**Maruyama U.S., Inc.**

**3570 Shelby Lane**

**Denton, TX 76207**

**940-383-7400 voice**

**940-383-7466 fax**

**[www.maruyama-us.com](http://www.maruyama-us.com)**