

MARUYAMA

ILLUSTRATED PARTS LIST

BC4200H

BRUSHCUTTER



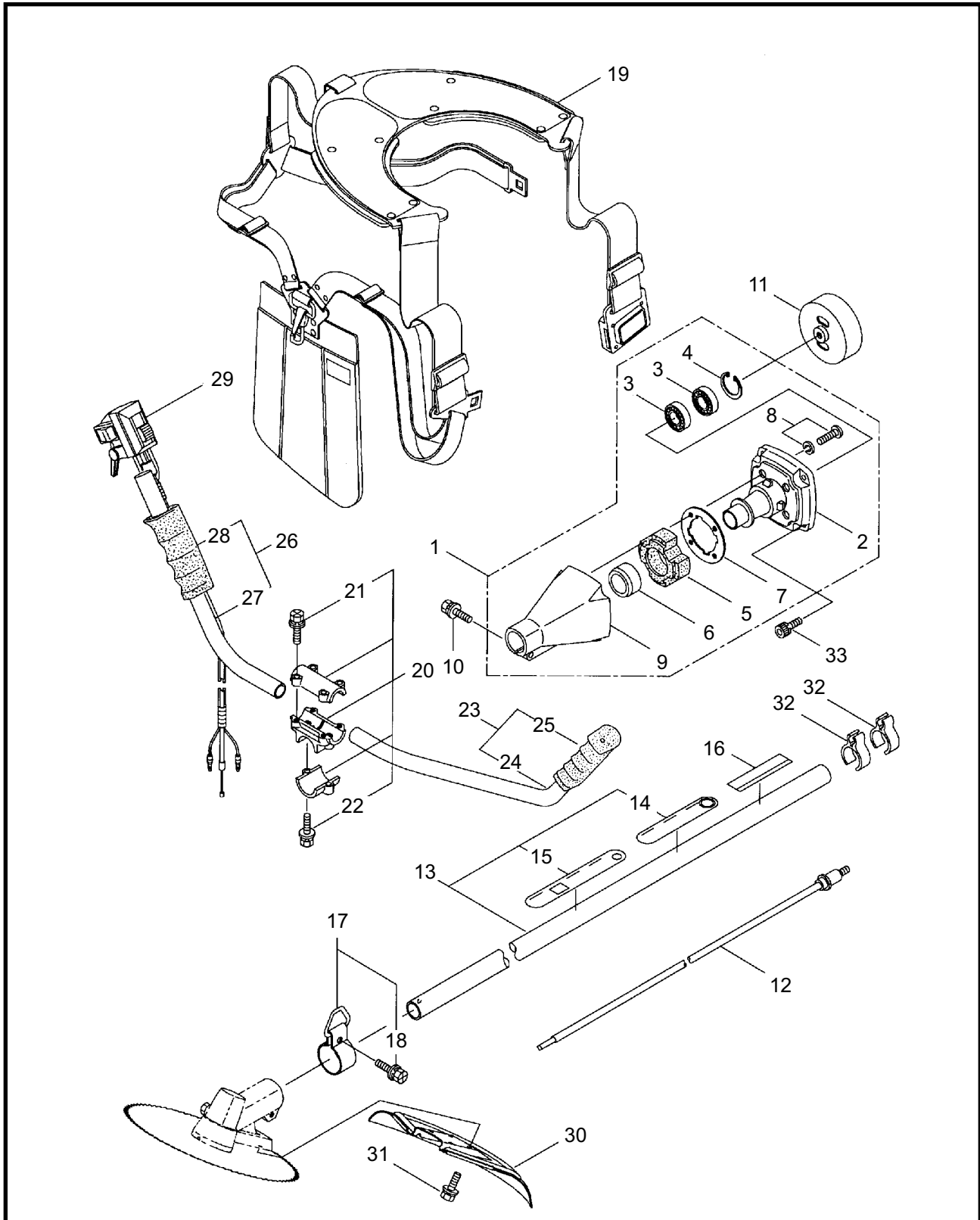
BC4200H
BRUSHCUTTER
PART 845407-REV06/02



Maruyama. *E x t r a o r d i n a r y .*

2 ILLUSTRATED PARTS LIST
BC4200H

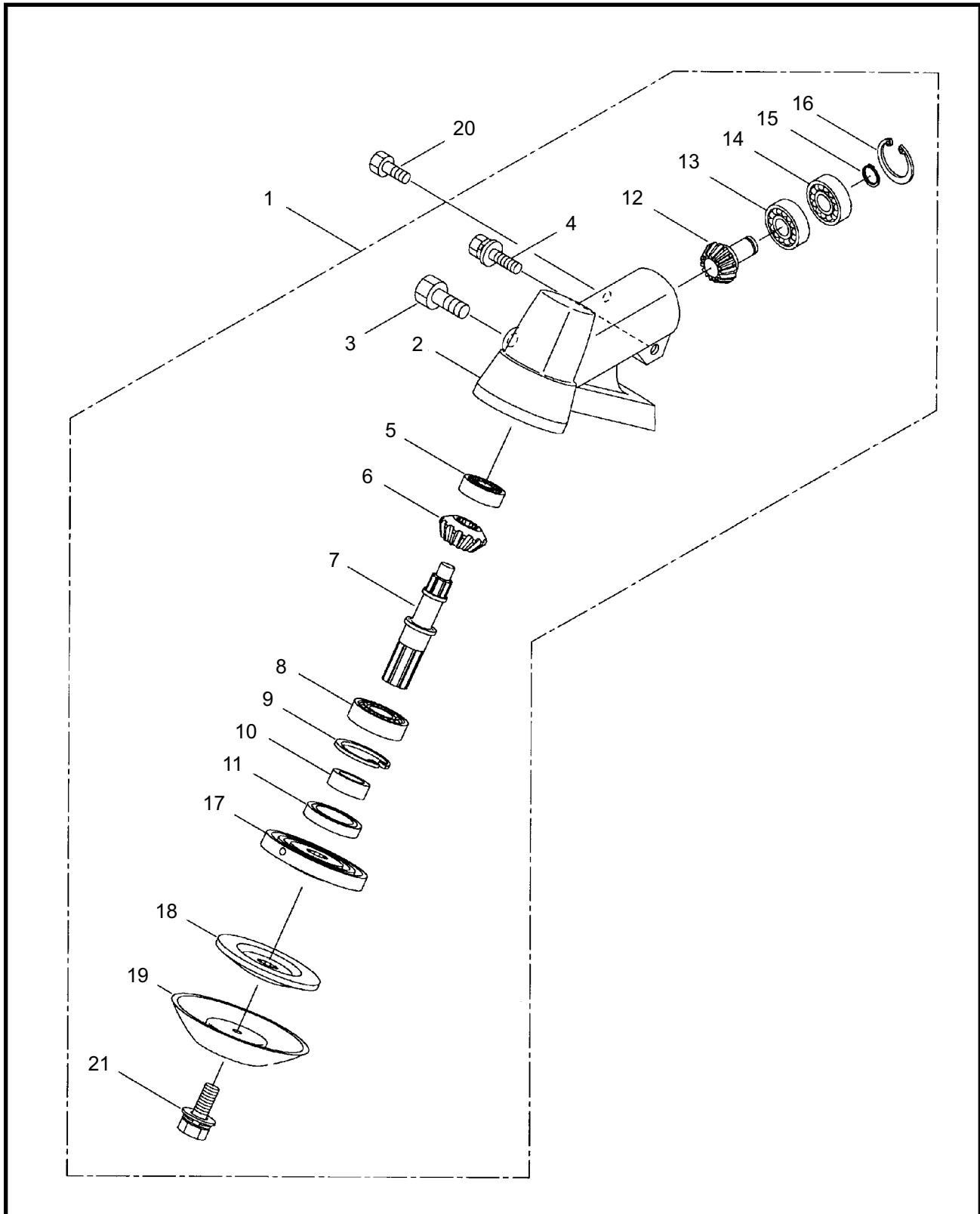
MAIN BODY



REF #	PART #	DESCRIPTION	Q'TY.	NOTES
1	217043	Clutch Case Ass'y	1	Incl. 2-9
2	217044	Bearing Case	1	
3	140474	Bearing	2	#6202ZZ
4	012380	Snap Ring	1	#35
5	217045	Buffer (A)	1	
6	217046	Buffer (B)	1	
7	217047	Washer	1	
8	092033	Screw	4	M5x15
9	217048	Driveshaft Tube Adapter	1	
10	092556	Bolt	1	M6x30
11	902835	Clutch Drum	1	
12	217897	Driveshaft Ass'y	1	
13	220082	Driveshaft Tube Ass'y	1	Incl. 14,15
14	221501	Label	1	Caution
15	221502	Label	1	Caution
16	220801	Label	1	BC4200H
17	217850	Hanging Bracket Ass'y	1	Incl. 18
18	092548	Bolt	1	M5x15
19	998384	Full Support Harness	1	746-37100-900
20	217638	Bracket Ass'y	1	Incl. 21,22
21	092554	Bolt	4	M6x25
22	092556	Bolt	2	M6x30
23	219156	Handle Ass'y-Left	1	Incl. 24,25
24	219157	Handle	1	
25	217904	Handle Grip	1	
26	219159	Handle Ass'y-Right	1	Incl. 27,28
27	219160	Handle	1	
28	217907	Handle Grip	1	
29	222152	Throttle Trigger	1	
30	217091	Safety Cover	1	
31	092562	Bolt	4	M5x10
32	219161	Wire Guide	2	
33	219113	Cap Screw	4	M6x20

4 ILLUSTRATED PARTS LIST
BC4200H

GEAR CASE

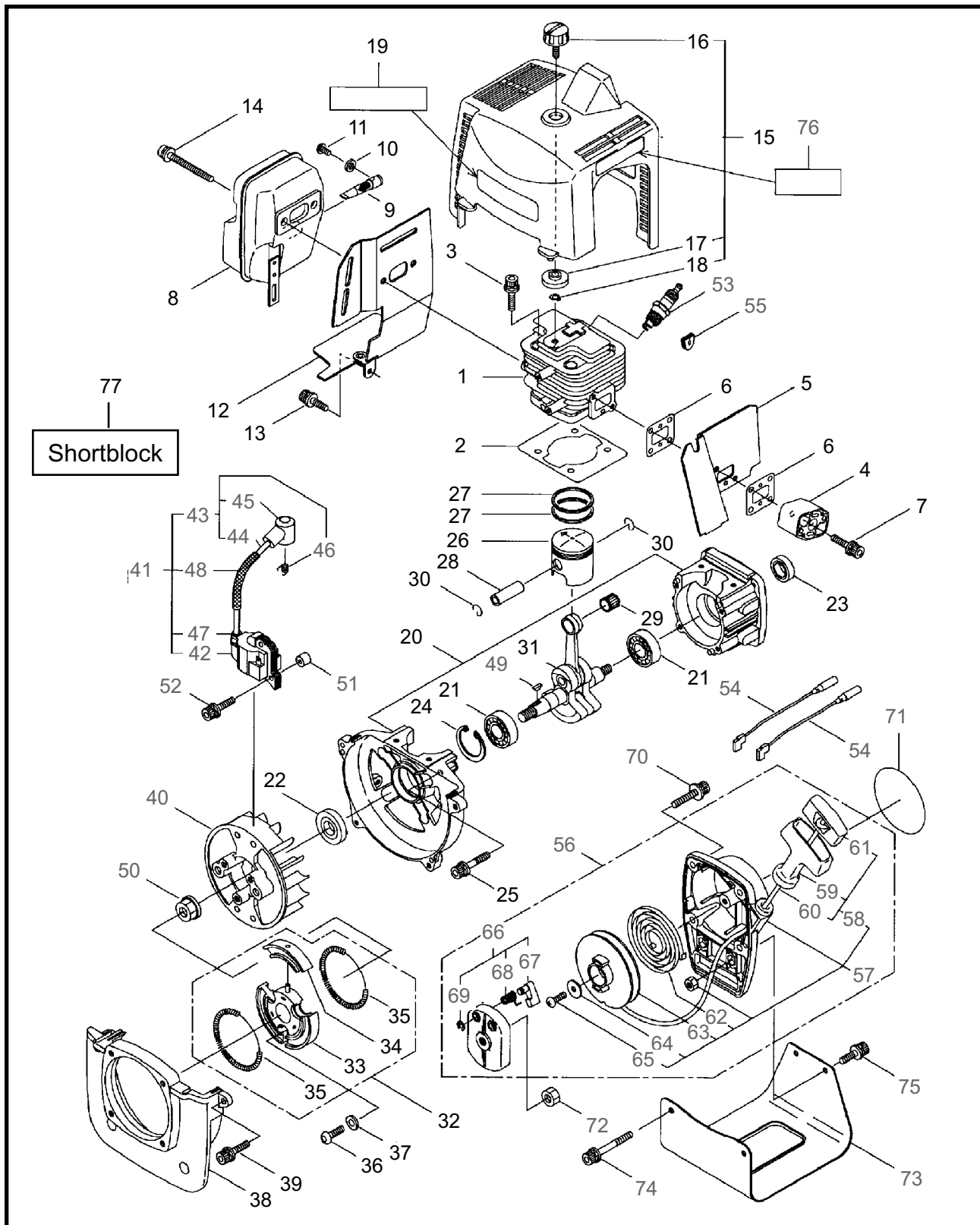


REF #	PART #	DESCRIPTION	Q'TY.	NOTES
1	217088	Gearcase Ass'y	1	Incl. 2-20
2	217089	Gearcase	1	
3	089884	Bolt	1	M8x10
4	092556	Bolt	1	M6x30
5	210560	Bearing	1	#609
6	211698	Gear	1	
7	217057	Blade Shaft	1	
8	022009	Bearing	1	#6002
9	016732	Snap Ring	1	#32
10	212394	Collar	1	15x22x8L
11	211818	Oil Seal	1	D22 32 6
12	211695	Pinion Gear	1	
13	014490	Bearing	1	#6000
14	054808	Bearing	1	#6000Z
15	014210	Snap Ring	1	#10
16	054676	Snap Ring	1	#26
17	217060	Boss Adapter	1	
18	217061	Clamping Washer	1	
19	902311	Stabilizer	1	
20	089747	Bolt	1	M6x12
21	215610	Bolt	1	(cc)

6 ILLUSTRATED PARTS LIST

BC4200H

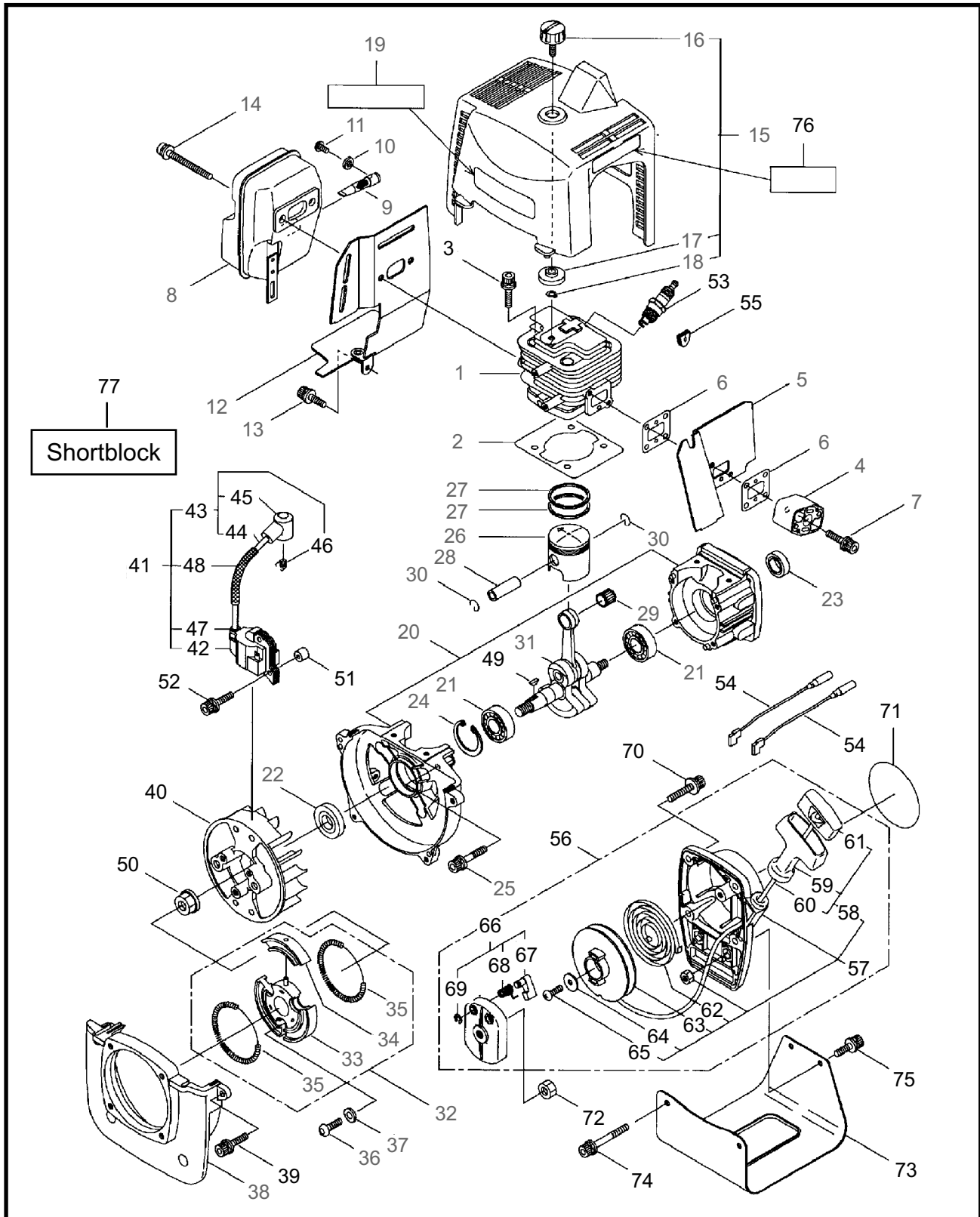
ENGINE



REF #	PART #	DESCRIPTION	Q'TY.	NOTES
1	262544	Cylinder	1	New gasket required
2	262546	Gasket	1	
3	261246	Cap Screw	4	M5x25
4	262548	Insulator	1	New gasket required
5	262550	Air Duct	1	
6	262790	Gasket	2	
7	265924	Cap Screw	2	M5x25
8	264020	Muffler	1	
9	262388	Spark Arrester	1	
10	264857	Washer	1	
11	089596	Tapping Screw	1	M3x10
12	262617	Gasket	1	
13	261607	Cap Screw	1	M5x16
14	262687	Cap Screw	2	M6x65
15	263922	Top Cover Ass'y	1	Incl. 16-18
16	262556	Knob	1	
17	262689	Spacer	1	
18	262690	Snap Ring	1	
19	262714	Label	1	MARUYAMA
20	262558	Crankcase	1	
21	262658	Bearing	2	#6202C3
22	262660	Oil Seal	1	
23	262565	Oil Seal	1	
24	012380	Snap Ring	1	
25	261999	Cap Screw	4	M5x40
26	265227	Piston	1	
27	262476	Piston Ring	2	(2)Required
28	262749	Piston Pin	1	
29	262659	Bearing, Needle	1	
30	262479	Clip, Piston Pin	2	
31	262567	Crankshaft/Conn.Rod Ass'y	1	
32	264074	Clutch Ass'y	1	Incl. 33-35
33	264072	Wheel	1	
34	264071	Clutch Shoe	3	
35	264070	Spring,Clutch	2	
36	264039	Cap Screw	3	M6x30
37	264073	Washer	3	
38	267287	Fan Cover	1	

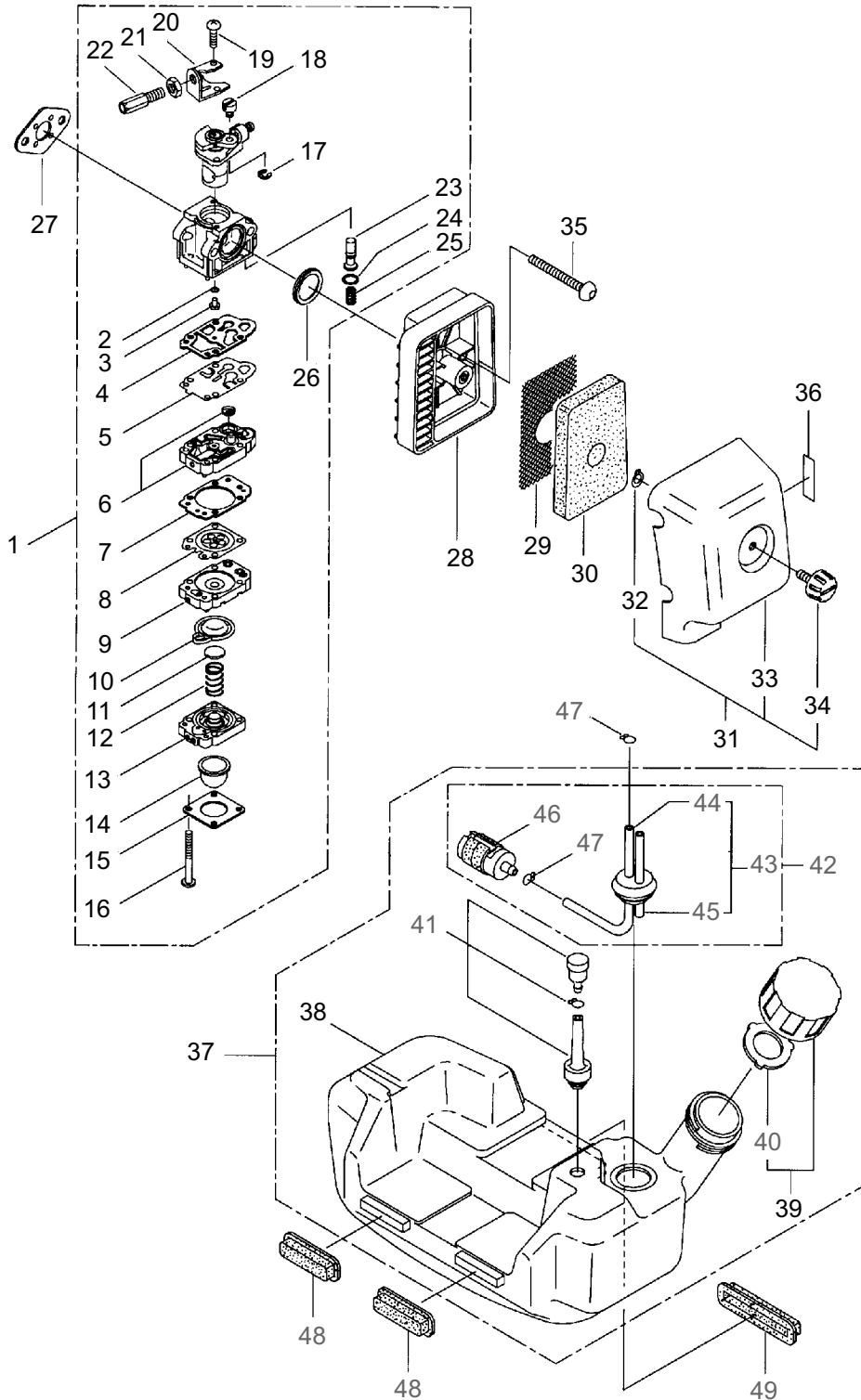
8 ILLUSTRATED PARTS LIST
BC4200H

ENGINE



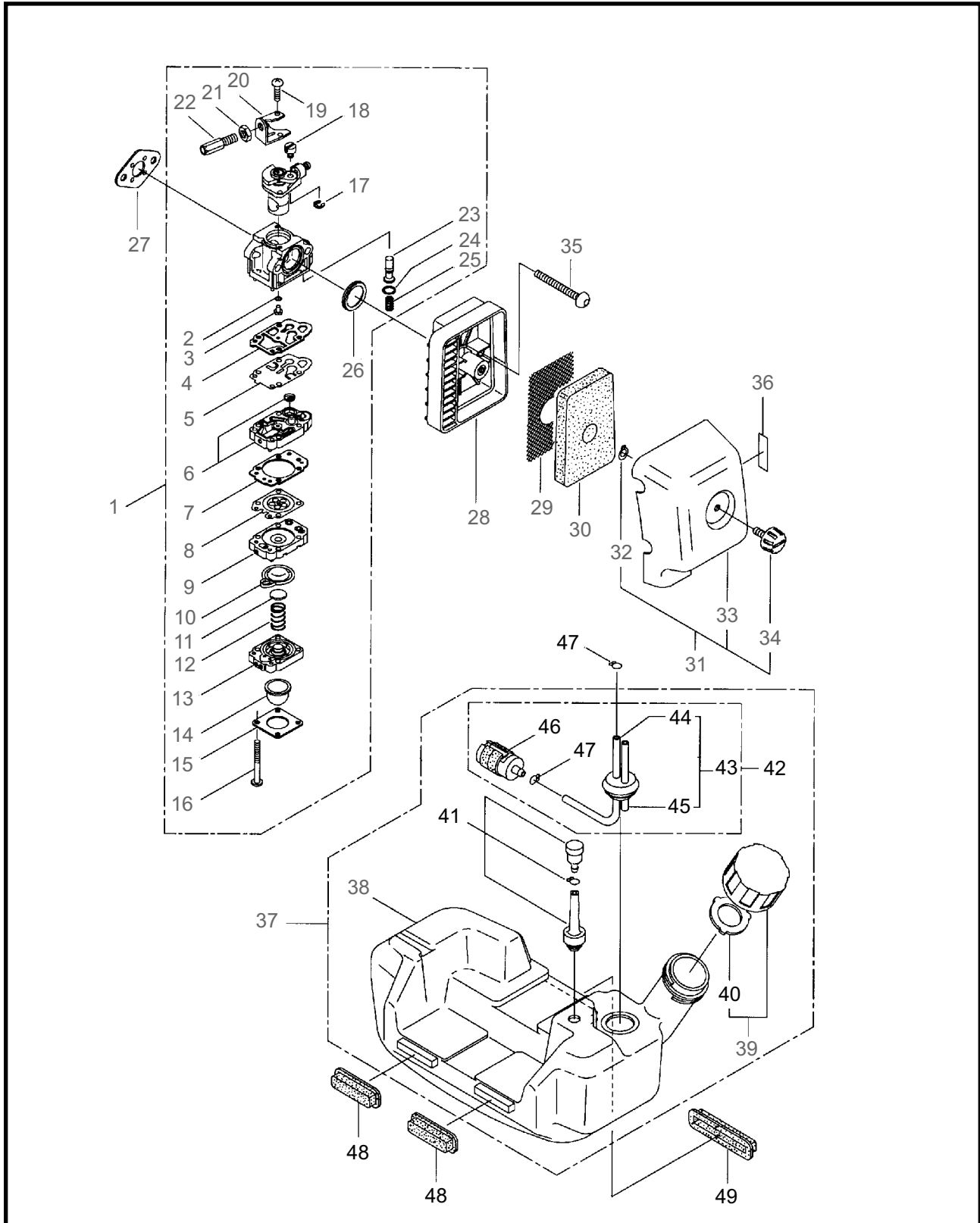
REF #	PART #	DESCRIPTION	Q'TY.	NOTES
39	261250	Cap Screw	2	M5x20
40	262619	Rotor/Fan	1	
41	267580	Ignition Coil Ass'y	1	Incl. 42-48
42	267582	Coil	1	
43	267584	Spark Plug Wire Ass'y	1	Incl. 44-46
44	267585	Spark Plug Wire	1	
45	261074	Plug Boot	1	
46	261075	Connector	1	
47	261072	Cap	1	
48	267583	Insulator	1	6x6.8x110
49	261076	Woodruff Key	1	3x10
50	262731	Nut, Rotor	1	M10
51	261078	Spacer	2	
52	261256	Cap Screw	2	M4x25
53	261200	Spark Plug	1	NGK BPM6Y
54	267519	Wire, Coil Ground	2	
55	261202	Grommet	1	
56	263525	Recoil Starter Ass'y	1	Incl. 57-69
57	263526	Recoil Ass'y	1	Incl. 58-65
58	262631	Rope Ass'y	1	Incl. 59-61
59	262633	Starter Grip	1	
60	262632	Starter Rope	1	
61	262981	Cap	1	
62	262627	Spiral Spring	1	
63	262626	Pulley	1	
64	262982	Washer	1	
65	262629	Screw	1	
66	262634	Starter Pawl Ass'y	1	Incl. 67-69
67	262636	Pawl	1	
68	262637	Return Spring	1	
69	262638	E-Ring	1	
70	261257	Cap Screw	4	M4x16
71	264520	Label	1	
72	081040	Nut	1	M8
73	263281	Stand	1	
74	268270	Cap Screw	2	M5x40
75	261607	Cap Screw	2	M5x16
76	268791	Label	1	
77	850580	Shortblock	1	

CARBURETOR AND FUEL TANK



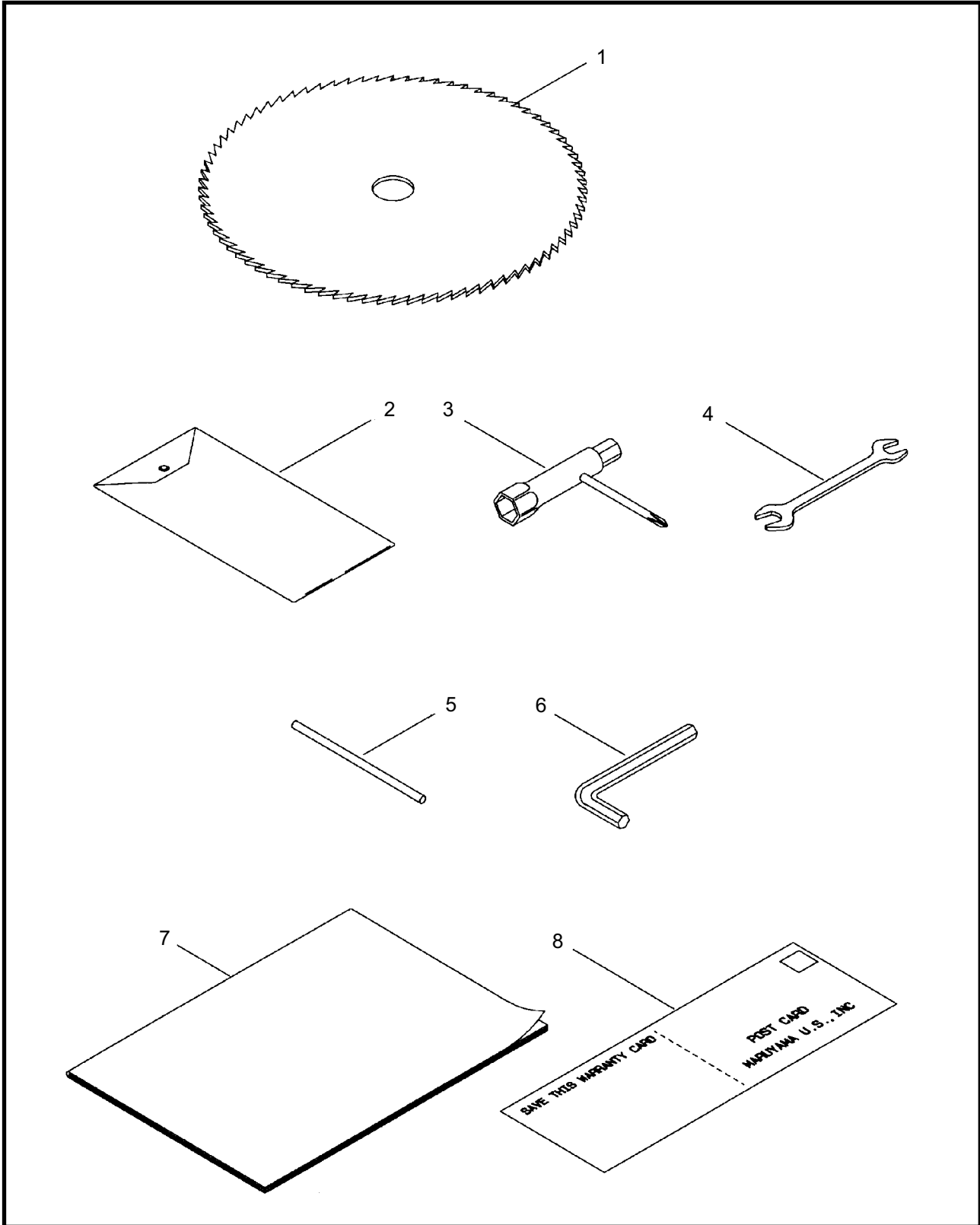
REF #	PART #	DESCRIPTION	Q'TY.	NOTES
1	264650	Carburetor Ass'y	1	Incl. 2-26
2	261871	O-Ring	1	
3	263247	Main Jet	1	#50
4	261637	Gasket	1	
5	261638	Diaphragm, Fuel Pump	1	
6	263290	Pump Body	1	
7	261642	Gasket	1	
8	261873	Diaphragm, Metering	1	
9	261643	Diaphragm Body	1	
10	261644	Diaphragm, Primer	1	
11	261650	Retainer	1	
12	261649	Spring	1	
13	264212	Purge Body	1	
14	264211	Primer Bulb	1	
15	264210	Cover Plate	1	
16	263251	Screw	4	
17	261876	E-Ring	1	
18	261658	Swivel	1	
19	260607	Screw	2	
20	263250	Bracket	1	
21	261878	Nut	1	
22	263994	Adapter	1	
23	261653	Injection Button	1	
24	261655	O-Ring	1	
25	261656	Spring	1	
26	261657	Packing	1	
27	262587	Gasket	1	
28	262640	Air Filter Case	1	
29	262727	Screen	1	
30	262643	Foam Element	1	
31	262590	Air Filter Cover Ass'y	1	Incl. 32-34
32	261734	Snap Ring	1	#5
33	262591	Air Filter Cover	1	
34	261018	Knob	1	
35	262720	Cap Screw	2	M5x55
36	261803	Label	1	
37	264761	Fuel Tank Ass'y	1	Incl. 38-48
38	264760	Fuel Tank	1	
39	261584	Fuel Tank Cap Ass'y	1	Incl. 40

CARBURETOR AND FUEL TANK



REF #	PART #	DESCRIPTION	Q'TY.	NOTES
40	261105	Gasket	1	
41	261696	Breather Ass'y	1	
42	262645	Fuel Pipe Pick-up Ass'y	1	Incl. 43-47
43	262646	Fuel Pipe Ass'y	1	Incl. 44-45
44	262649	Fuel Pipe	1	
45	263038	Return Pipe	1	3x6x85L
46	267328	Fuel Filter Ass'y	1	
47	261117	Clip	2	
48	261119	Pad	2	
49	262697	Pad	1	

ACCESSORIES



REF #	PART #	DESCRIPTION	Q'TY.	NOTES
1	913143	Saw Blade	1	255x80
2	054753	Tool Bag	1	
3	210418	Box Spanner	1	13x19x(+)
4	022865	Double-ended Wrench	1	8x10
5	210181	Lever Handle	1	3.5x170L
6	219433	Wrench	1	5mm
7	220598	Instruction Manual	1	
8	216007	Warranty Card	1	



Maruyama U.S., Inc.
Post Office Box 309
Auburn, WA 98071-0309
253-735-7368 voice
253-735-1416 fax

www.maruyama-us.com