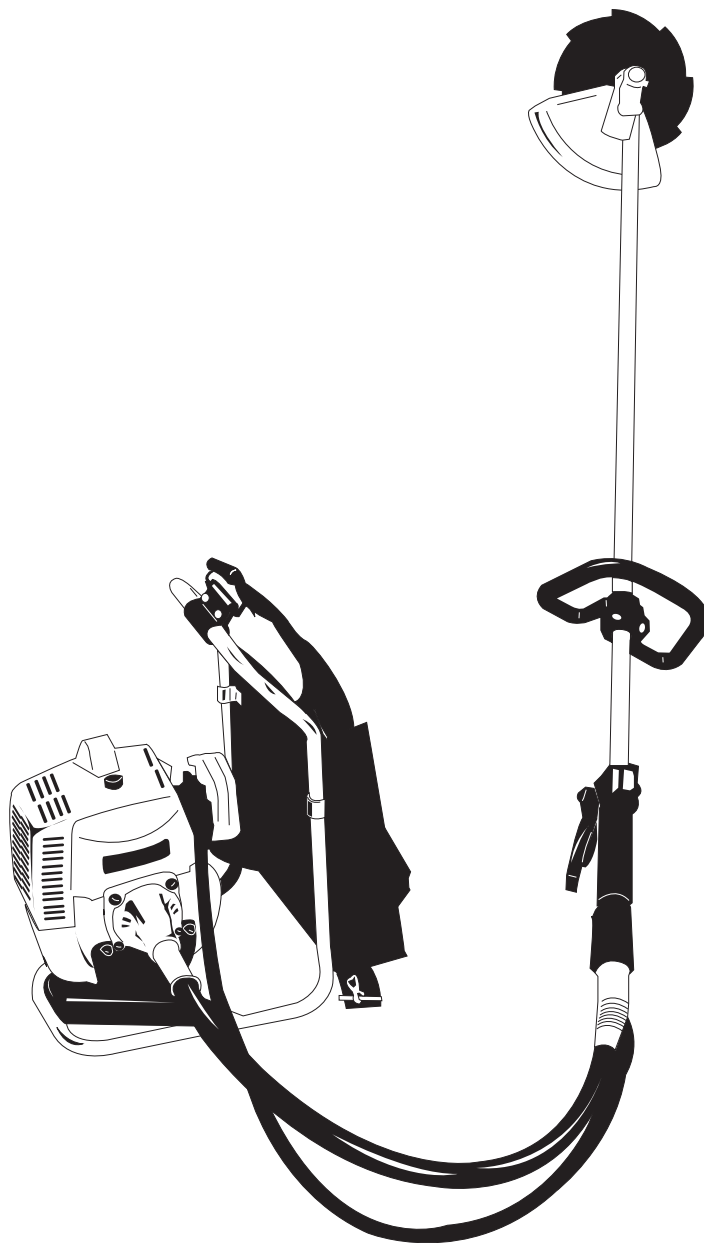


MARUYAMA

ILLUSTRATED PARTS LIST

MBS329

BACKPACK BRUSHCUTTER



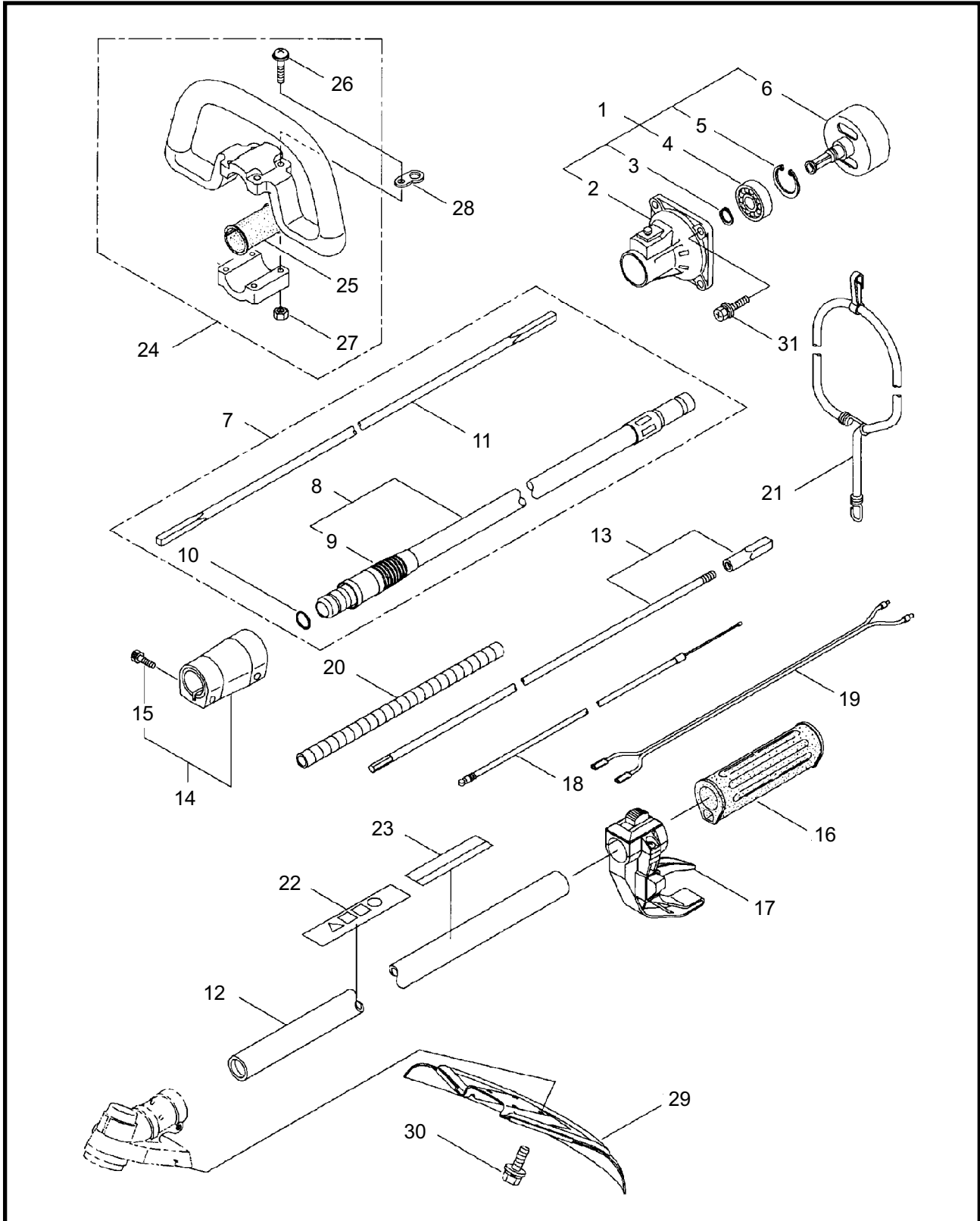
MBS329
BACKPACK BRUSHCUTTER
PART 845418-REV03/03



Maruyama. *E x t r a o r d i n a r y .*

2 ILLUSTRATED PARTS LIST
MBS329

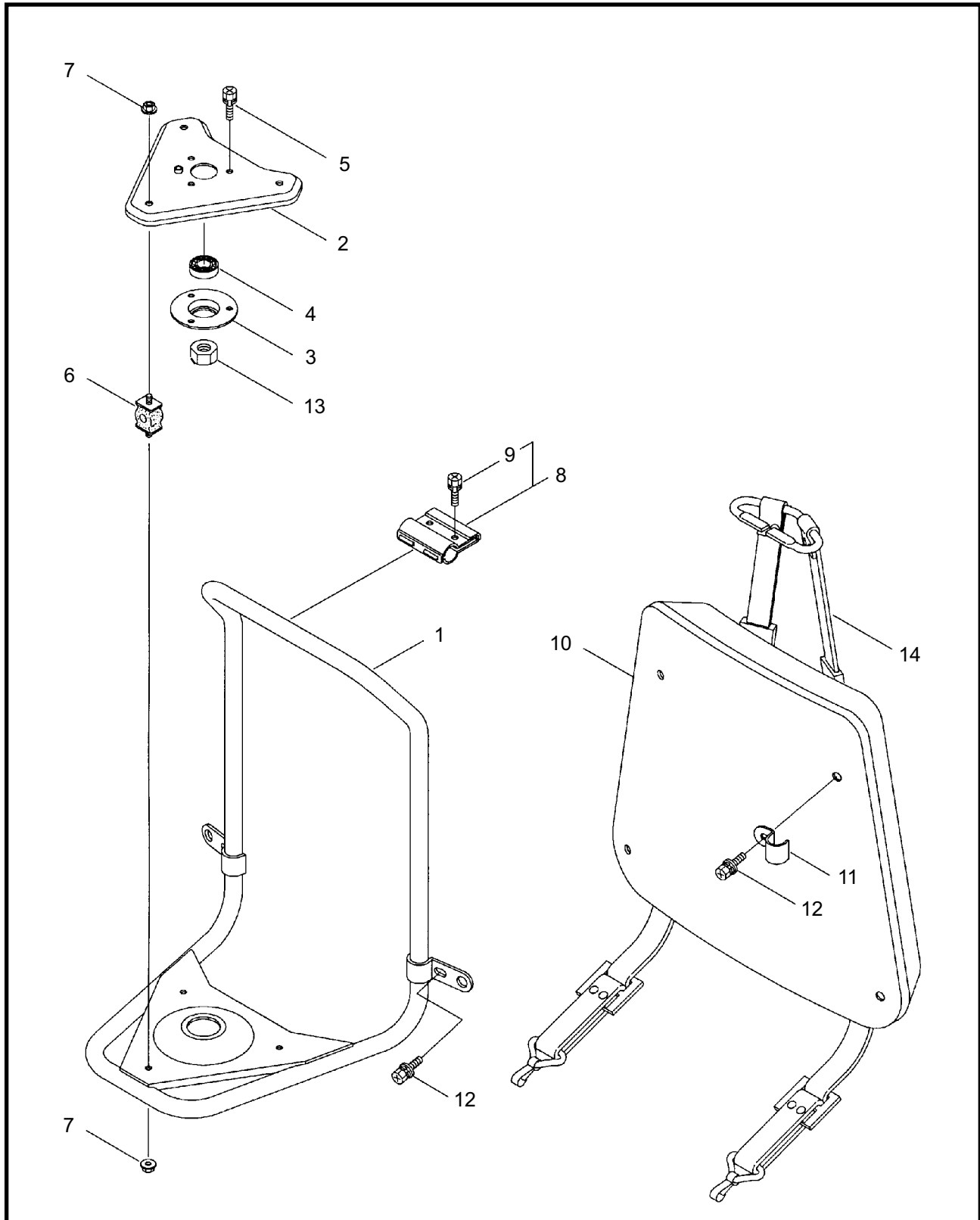
MAIN BODY



REF #	PART #	DESCRIPTION	Q'TY.	NOTES
1	220202	Clutch Case Ass'y	1	Incl. 2-6
2	220203	Clutch Case	1	
3	055186	Snap Ring	1	
4	217659	Bearing	1	
5	016732	Snap Ring	1	
6	220052	Clutch Drum	1	
7	222530	Outer Ass'y	1	Incl. 8-11
8	222531	Outer	1	Incl. 9
9	215885	Cover	1	
10	011338	O-Ring	1	
11	211895	Inner Shaft	1	
12	215779	Driveshaft Tube	1	
13	222179	Driveshaft Ass'y	1	
14	214365	Joint Pipe Ass'y	1	Incl. 15
15	087786	Cap Screw	2	M5x25
16	215532	Shaft Grip	1	
17	218300	Throttle Trigger	1	
18	217501	Throttle Cable	1	
19	217498	Lead Wires	1	
20	216803	Plastic Tube	1	
21	210400	Band	1	
22	213750	Label	1	Caution
23	225269	Label	1	MBS329
24	214224	Loop Handle Ass'y	1	Incl. 25-28
25	213171	Packing	1	
26	222142	Screw	4	M5x28
27	081027	Nut	4	M5
28	212491	Stay	1	
29	217091	Safety Cover	1	
30	092562	Bolt	4	M5x10
31	817002	Bolt	5	M5x20

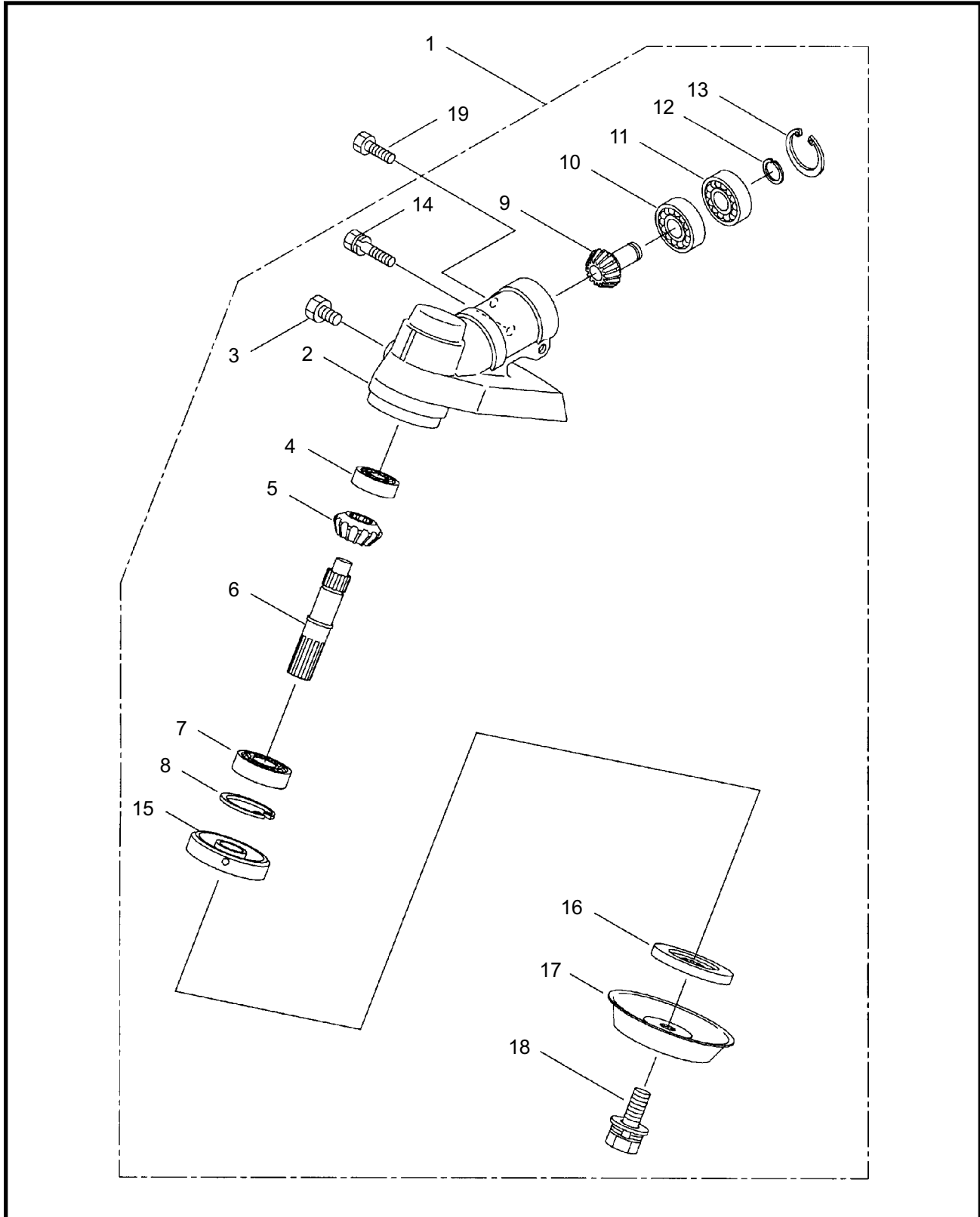
4 ILLUSTRATED PARTS LIST
MBS329

SUPPORT FRAME



REF #	PART #	DESCRIPTION	Q'TY.	NOTES
1	218153	Support Frame	1	
2	216417	Turn Bracket	1	
3	211644	Bearing Case	1	
4	151443	Bearing	1	
5	092578	Bolt	3	M5x10
6	211645	Buffer	3	
7	215230	Nut	6	
8	211969	Hanging Bracket Ass'y	1	Incl. 9
9	092579	Bolt	2	M5x12
10	214498	Pad	1	
11	210968	Bracket	2	
12	092580	Bolt	4	M5x12
13	084020	Nut	1	
14	211650	Knapsack Belt	1	

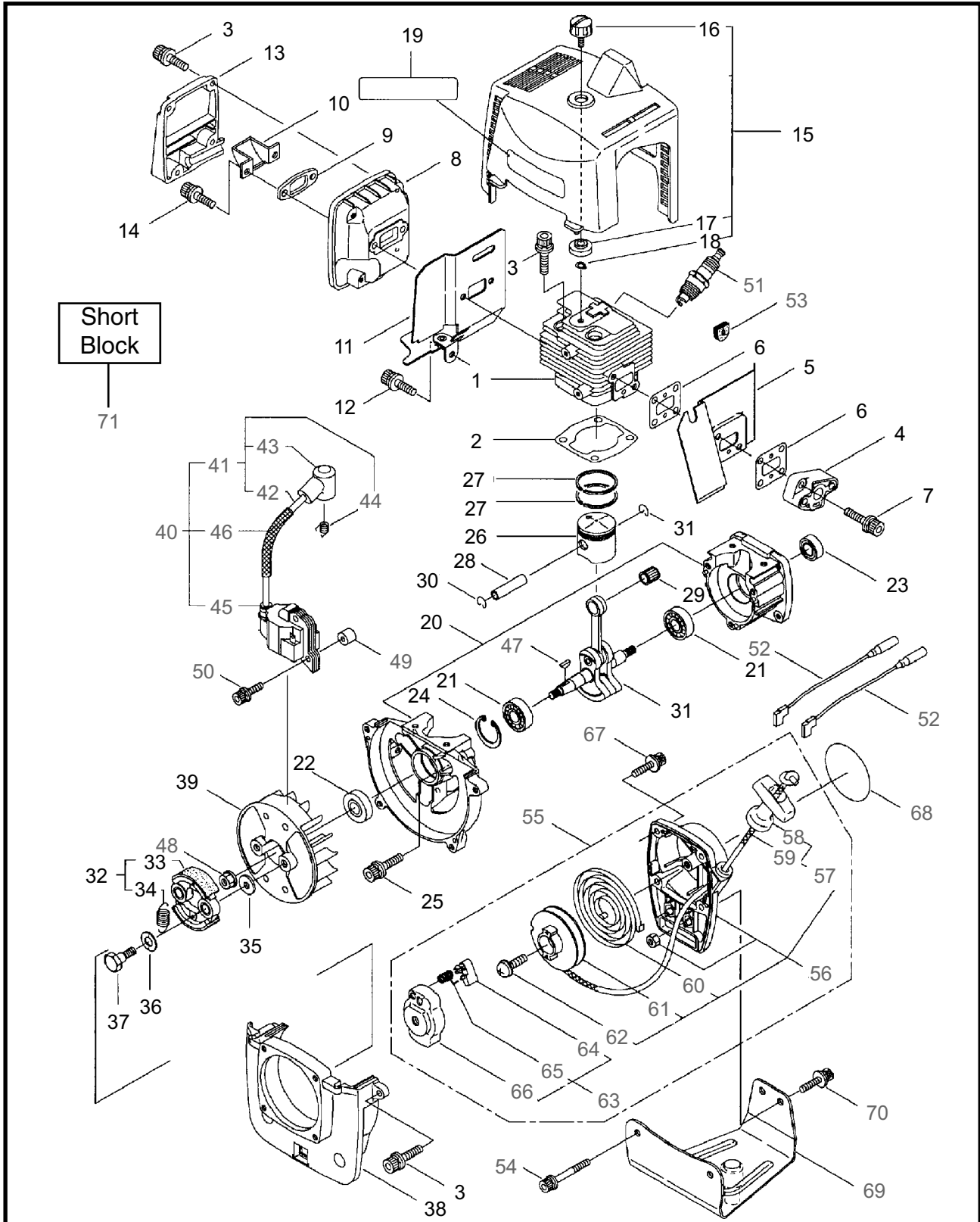
GEAR CASE



REF #	PART #	DESCRIPTION	Q'TY.	NOTES
1	220577	Gearcase Ass'y	1	Incl. 2-18
2	219077	Gearcase	1	
3	089884	Bolt	1	M8x10
4	210554	Bearing	1	
5	210555	Gear	1	
6	215762	Blade Shaft	1	
7	212999	Bearing	1	
8	055185	Snap Ring	1	
9	215544	Pinion Gear	1	
10	210560	Bearing	1	
11	217042	Bearing	1	
12	140269	Snap Ring	1	
13	140270	Snap Ring	1	
14	092561	Bolt	1	M5x25
15	212986	Boss Adapter	1	
16	140275	Clamping Washer	1	
17	215547	Stabilizer	1	
18	215610	Bolt	1	M8x22, Counterclockwise
19	089737	Bolt	1	M5x12

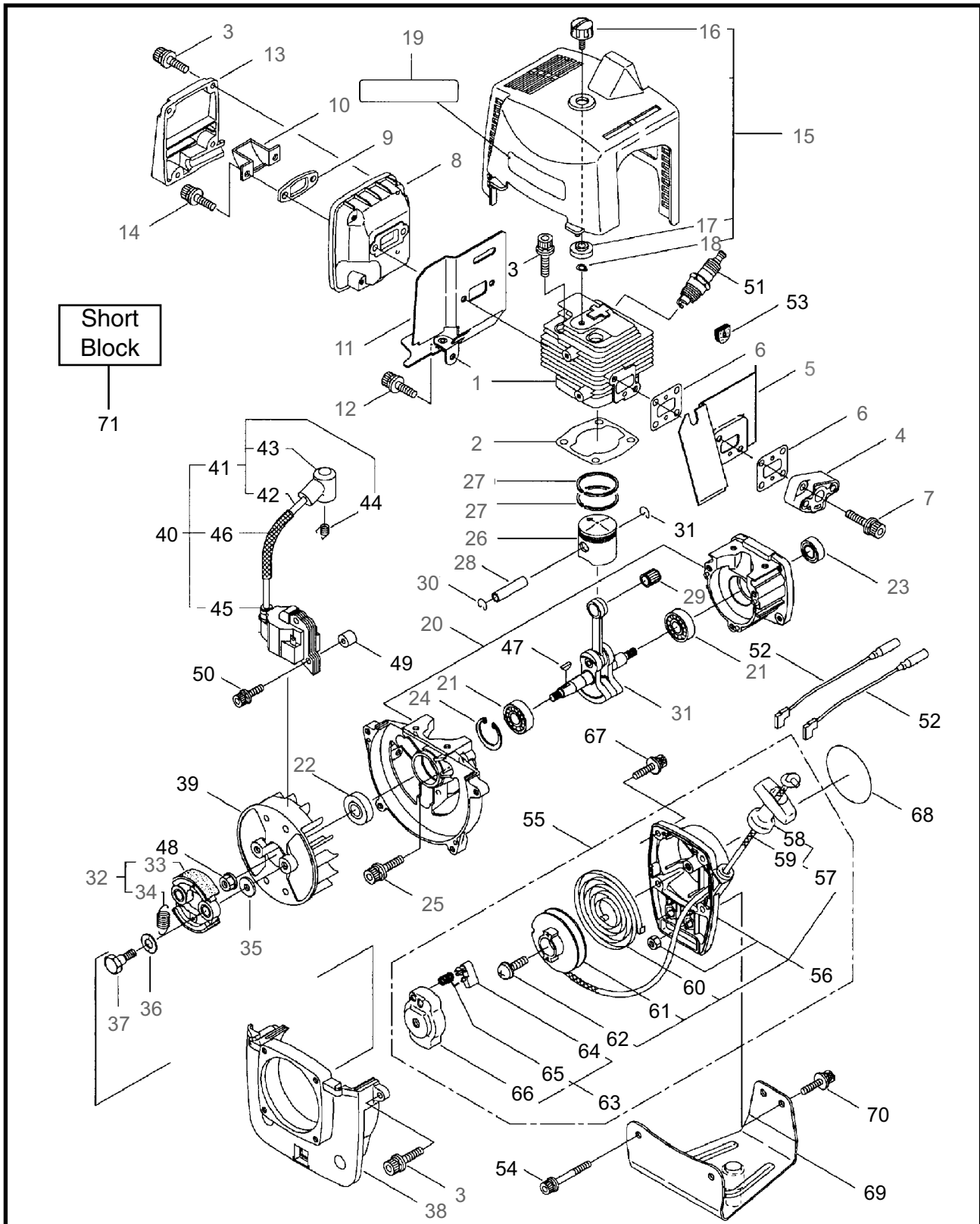
8 ILLUSTRATED PARTS LIST
MBS329

ENGINE



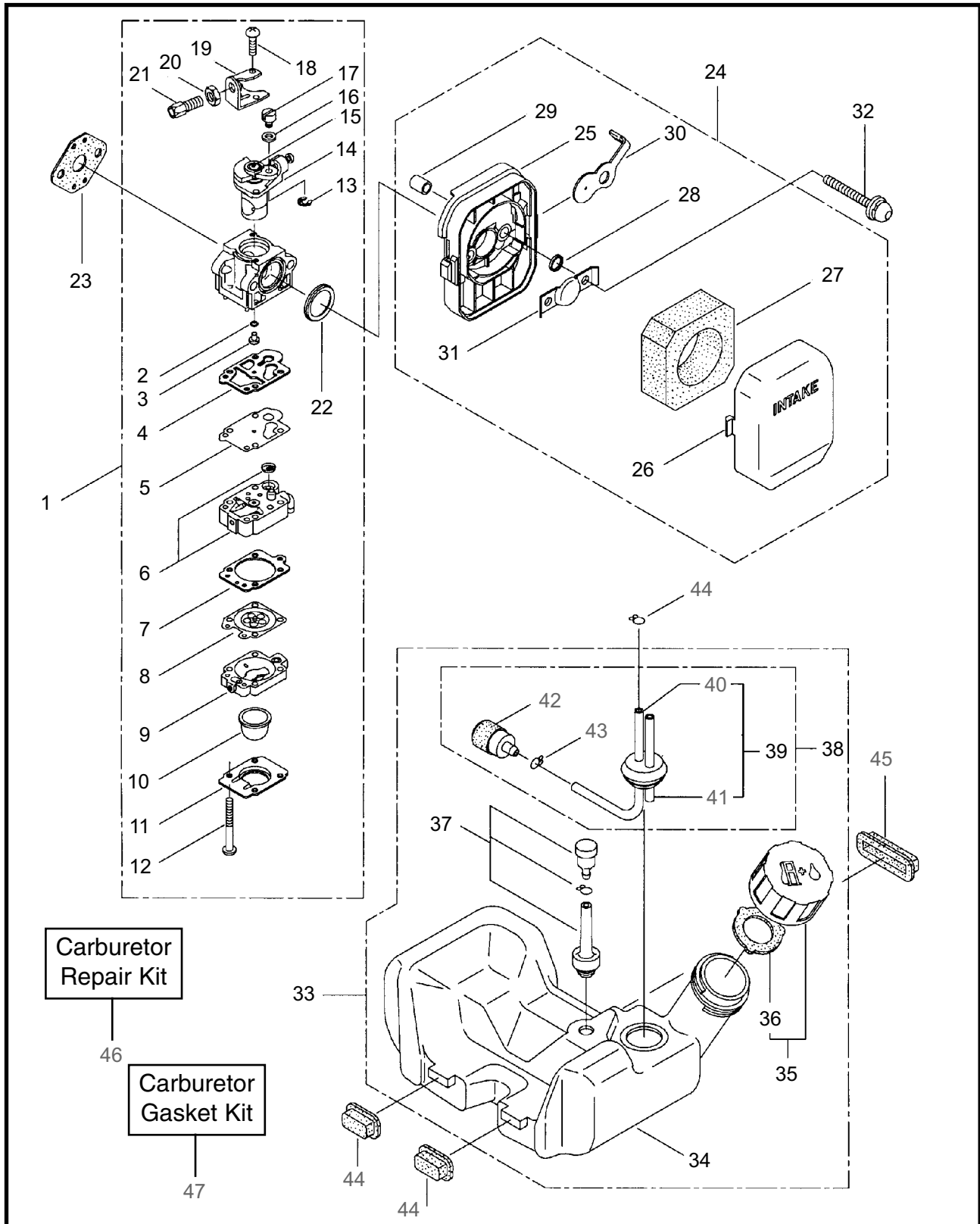
REF #	PART #	DESCRIPTION	Q'TY.	NOTES
1	261360	Cylinder	1	New gasket required
2	262201	Gasket	1	
3	261250	Cap Screw	10	M5x10
4	261938	Insulator	1	New gasket required
5	261364	Air Duct	1	
6	261171	Gasket	2	
7	265924	Cap Screw	2	M5x25
8	262400	Muffler Body	1	New muffler cover required
9	261986	Deflector Plate	1	
10	261368	Deflector	1	
11	261833	Gasket	1	
12	261607	Cap Screw	1	M5x16
13	262401	Muffler Cover	1	New muffler body required
14	261246	Cap Screw	2	M5x25
15	265304	Top Cover Ass'y	1	Incl. 16-19
16	261018	Knob	1	
17	261020	Spacer	1	
18	261734	Snap Ring	1	
19	262100	Label	1	MARUYAMA
20	261379	Crankcase	1	
21	261384	Bearing	2	
22	261385	Oil Seal	1	
23	261386	Oil Seal	1	
24	016732	Snap Ring	1	
25	261612	Cap Screw	3	M5x30
26	266980	Piston	1	
27	261390	Piston Ring	2	(2) Required
28	261555	Piston Pin	1	
29	261392	Bearing, Needle	1	
30	261393	Clip, Piston Pin	2	
31	261395	Crankshaft / Conn. Rod Ass'y	1	
32	268439	Clutch Ass'y	1	Incl. 33-37
33	264504	Clutch Shoe	2	(2) Required
34	263614	Spring, Clutch	1	
35	261189	Washer	2	
36	261777	Wave Washer	2	
37	264505	Bolt	2	
38	264104	Fan Cover	1	

ENGINE



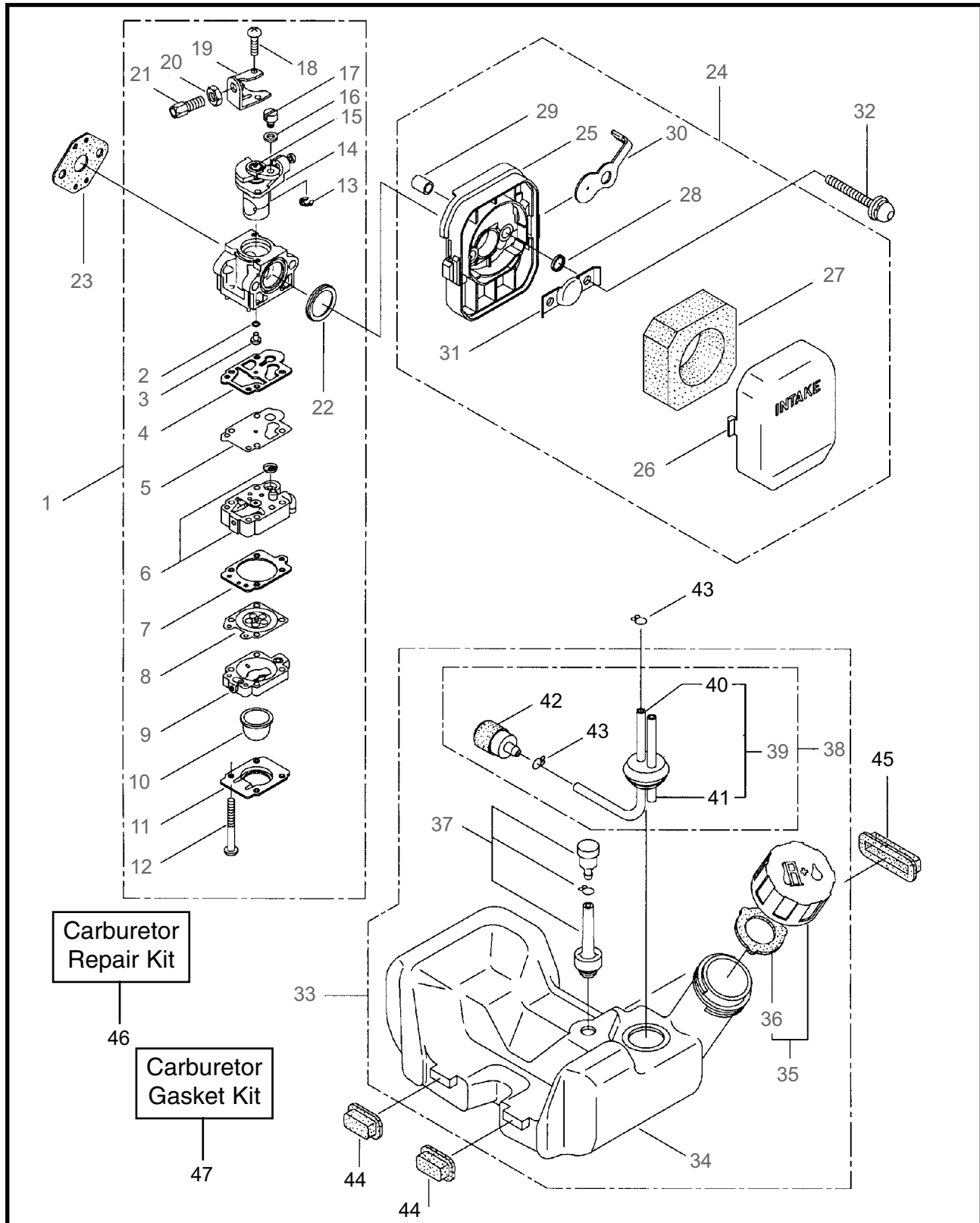
REF #	PART #	DESCRIPTION	Q'TY.	NOTES
39	261356	Rotor/Fan	1	
40	267173	Ignition Coil Ass'y	1	Incl. 41-46
41	267403	Spark Plug Wire Ass'y	1	Incl. 42-46
42	267404	Spark Plug Wire	1	
43	261074	Plug Boot	1	
44	261075	Connector	1	
45	261072	Cap	1	
46	269418	Insulator	1	
47	261076	Woodruff Key	1	
48	261417	Nut, Rotor	1	
49	261078	Spacer	2	
50	261256	Cap Screw	2	
51	261200	Spark Plug	1	NGK BPM6Y
52	267492	Lead	3	
53	261202	Grommet	1	
54	261999	Cap Screw	2	M5x40
55	262006	Recoil Starter Ass'y	1	Incl. 56-66
56	262039	Recoil Ass'y	1	Incl. 57-62
57	261723	Rope Ass'y	1	Incl. 58,59
58	261725	Starter Grip	1	
59	261724	Starter Rope	2	3x890L
60	261721	Spiral Spring	1	
61	261720	Pulley	1	
62	262922	Screw	1	
63	263475	Starter Pawl Ass'y	1	Incl. 64-66
64	263477	Pawl	1	
65	261728	Return Spring	1	
66	263476	Pawl Case	1	
67	261257	Cap Screw	4	M4x16
68	264525	Label	1	MARUYAMA
69	261936	Bracket	1	
70	261607	Cap Screw	2	M5x16
71	814792	Short Block		

CARBURETOR AND FUEL TANK



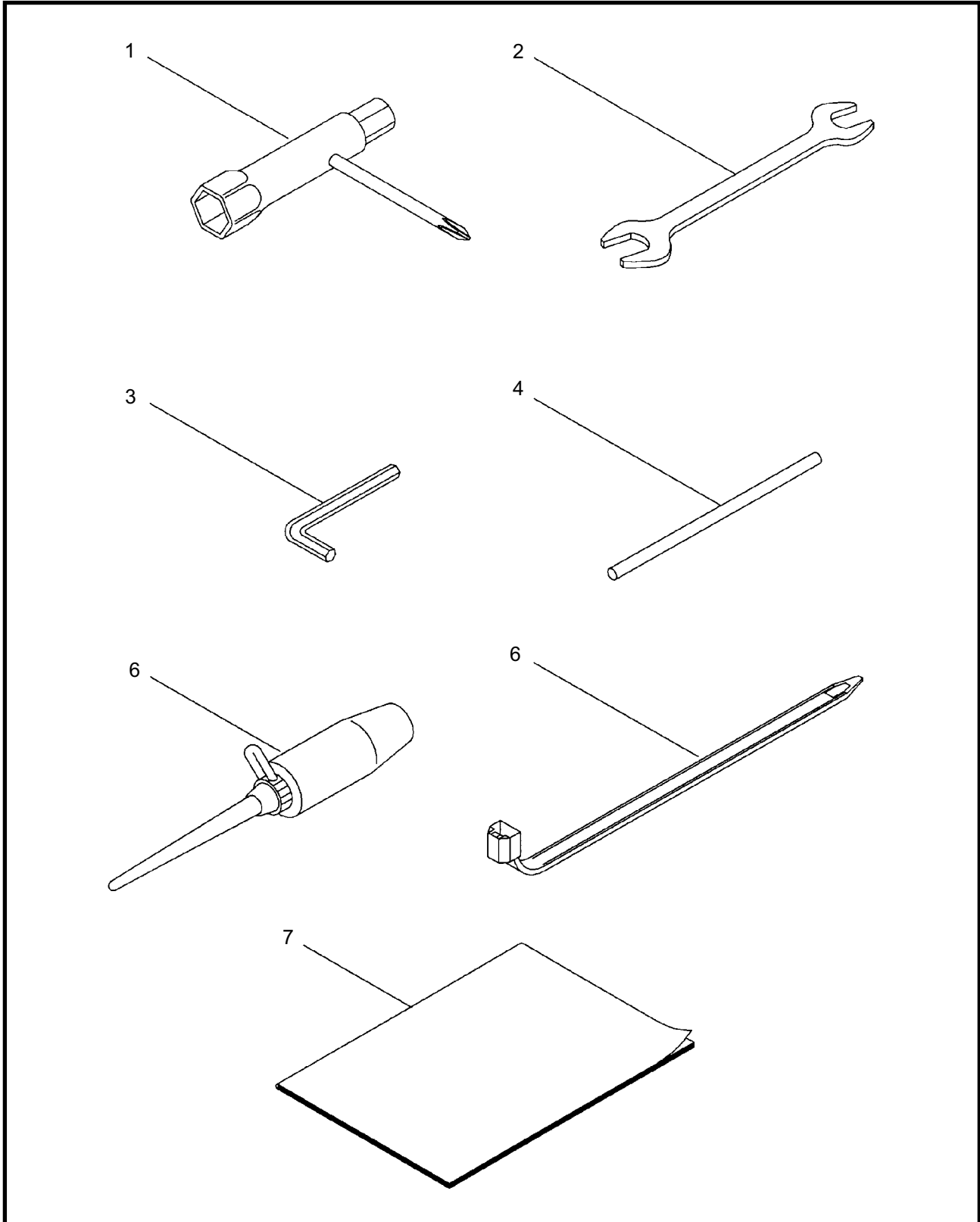
REF #	PART #	DESCRIPTION	Q'TY.	NOTES
1	268537	Carburetor Ass'y	1	Incl. 2-22
2	261871	O-Ring	1	
3	262121	Main Jet	1	#41
4	262995	Gasket	1	
5	262994	Diaphragm, Fuel Pump	1	
6	262985	Pump Body	1	
7	262993	Gasket	1	
8	261873	Diaphragm, Metering	1	
9	262991	Purge Body	1	
10	261874	Primer Bulb	1	
11	262992	Cover Plate	1	
12	262996	Screw	4	
13	261876	E-Ring	1	
14	264985	Throttle Valve Ass'y	1	
15	261652	Plug	1	
16	264678	Washer	1	
17	261658	Swivel	1	
18	260607	Screw	2	
19	264677	Bracket	1	
20	261878	Nut	1	
21	263994	Adapter	1	
22	261657	Packing	1	
23	261864	Gasket	1	
24	262902	Air Filter Ass'y	1	Incl. 25-31
25	263005	Housing	1	
26	262998	Cover	1	
27	263006	Element	1	
28	263000	Washer	1	
29	263001	Sleeve	2	
30	263007	Choke Valve	1	
31	263003	Plate	1	
32	264016	Cap Screw	2	M5x60
33	264749	Fuel Tank Ass'y	1	Incl. 34-43
34	264752	Fuel Tank	1	
35	264784	Fuel Tank Cap Ass'y	1	Incl. 36
36	261105	Gasket	1	
37	261696	Breather Ass'y	1	
38	265752	Fuel Pipe Pick-up Ass'y	1	Incl. 39-43
39	264031	Fuel Pipe Ass'y	1	Incl. 40,41

CARBURETOR AND FUEL TANK



REF #	PART #	DESCRIPTION	Q'TY.	NOTES
40	261690	Fuel Pipe	1	140L
41	263038	Return Pipe	1	3x6x85L
42	264653	Filter Ass'y	1	
43	261117	Clip	2	
44	261118	Pad	2	
45	261119	Pad	1	
46	840859	Carburetor Repair Kit		
47	840860	Carburetor Gasket Kit		

ACCESSORIES



REF #	PART #	DESCRIPTION	Q'TY.	NOTES
1	210418	Box Spanner	1	
2	022865	Double-ended Wrench	1	8x10
3	219432	Wrench	1	
4	210181	Lever Handle	1	
5	211337	Grease Tube	1	
6	220548	Band	2	
7	225273	Instruction Manual	1	MBS329



Maruyama U.S., Inc.

301 - 30th Street NE, Suite 118

Auburn, WA 98002

253-735-7368 voice

253-735-1416 fax

www.maruyama-us.com